

# OSRAM

## HID BALLAST SPECIFICATIONS

### Metal Halide Pulse Start Core & Coil Ballast Kit

#### 47112 M250/MULTI-PS-KIT

FOR ONE 250 WATT, M138 MH PS  
OR 250 WATT M153, MH PS

Line Voltage	120/208/240/277 V
Regulation	
Line Volts	+/-10%
Line Watts	+/-10%
Frequency	60 Hz
Circuit Type	SUPER-CWA
Power Factor (min)	90%
Insulation Class	H(180°)
Min. Ambient Starting Temp.	-20° F or -35° C

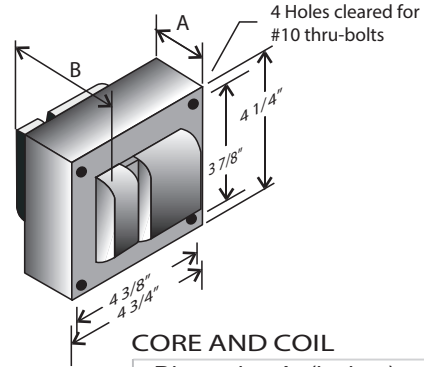


ISO-9000

Line Voltage (Volts)	120	208	240	277
Line Current (Amps)				
Operating	2.50	1.45	1.25	1.10
Open Circuit	1.40	0.80	0.70	0.65
Starting	1.90	1.10	0.96	0.85
Input Watts (W)	291	291	291	291
Open Circuit Voltage (V)	275	275	275	275
Drop Out Voltage (V)	60	104	120	138
UL(1029) Bench Top Rise	A	A	A	B
Recommended Fuse (Amps)	8	5	5	3

HIGH POTENTIAL TEST (VOLTS)	
1 Minute	2000
2 Seconds	2500
Open Circuit Voltage Test (volts)	250 - 300
Short-Circuit Current Test (Amps)	
Secondary Current	2.38 - 2.90
Input Current (Amps)	1.58 - 2.40    0.90 - 1.35    0.80 - 1.20    0.68 - 1.05

4 1/4" x 4 3/4" CORE

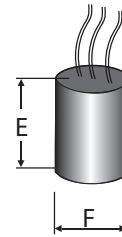


CORE AND COIL

Dimension A (inches)	1.50
Dimension B (inches)	3.10
Lead Lengths (inches)	12

IGNITOR

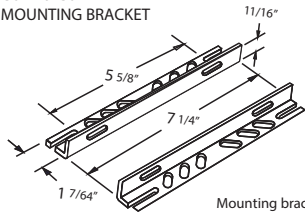
(THERMAL PLASTIC CASE)  
Max. case temp  
105° C



Dimension E (inches)	2.5
Dimension F (inches)	1.25

Maximum Distance to Ballast: 5 feet

BRACKET  
CORE & COIL  
MOUNTING BRACKET



Mounting bracket for  
Core & Coil Ballasts  
(2 brackets with thru bolts)

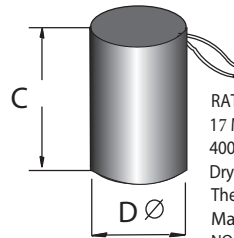


MOUNTING CLIP for round  
case



MOUNTING CLIP for round  
case

CAPACITOR



RATING  
17 Mfd  
400 VAC MIN  
Dry Film Capacitor  
Thermal Plastic Case  
Max. C case Temp 10 5° C  
NO PCB'S

Dimension C (inches)	3.75
Dimension D (inches)	1.75

PRODUCT LABEL

**OSRAM**  
M250/MULTI-PS-KIT

120/208/240/277V  
2.50/1.45/1.25/1.10A  
275 Voc, 60Hz, CWA

47112-C

Lamp Types

M138 250W MH  
M153 250W MH

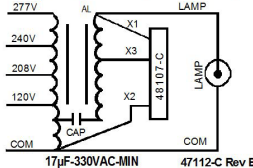


Class H

Ground Ballast Core

Assembled in Mexico

Caution: High Voltage Pulse Present on Open Circuit



CARTON LABEL

**OSRAM**

M250/MULTI-PS-KIT  
METALARC®

Magnetic Ballast / Ballast magnétique

47112-C



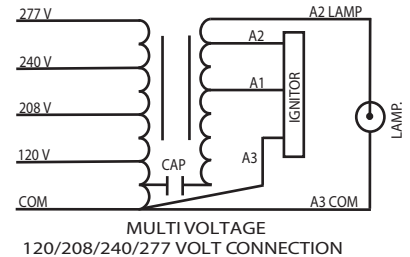
1 0 0 4 6 1 3 5 4 7 1 1 2 1

1 Ballast Kit 1 SKU

M138/M153

120/208/240/277V

Assembled in Mexico



WIRING DIAGRAM B

S47112-C Rev A

Item Number 47112 M250/MULTI-PS-KIT

METAL HALIDE

Primary Lamp Wattage

Line Voltage

CARTON CHARACTERISTICS

UNITS CARTON	CARTON/LAYER	# OF LAYERS	UNITS PALLET	PIECE WEIGHT	CARTON WEIGHT	PALLET WEIGHT
1	30	5	150	10.33 Lbs.	10.3 Lbs.	1550 Lbs.
CARTON PALLET	CARTON DIMENSIONS	PALLET DIMENSIONS	PALLET DIMENSIONS LOADED, INCLUDING WOOD PALLET			
150	8.125" x 5.125" x 4.9375"	48" x 40" x 5"	48" x 40" x 30"			