

ISA232T8HEMV

Ballast Type:	Electronic	Starting Method:	Instant Start	Unit Weight:	1.0 lbs.
Input Voltage:	120-277VAC ±10%	Lamp Connection:	Parallel	Carton Quantity:	20
Input Frequency:	50/60 Hz.	Unit Color:	Black	Skid Quantity:	1200

ELECTRICAL SPECIFICATION:

Line Voltage (V)	Lamp Type	Lamp Watts	No. of Lamps	Line Current (A)	Input Power (W)	Power Factor	Max Current THD (%)	Current Crest Factor	Ballast Factor	Wiring Diagram	B.E.F.
120	F32T8*	32	2	0.46	55	≥0.98	≤10	≤1.7	0.89	045E	1.62*
277	F32T8U*			0.20	55	≥0.98	≤10	≤1.7	0.89	045E	1.62*
120	F32T8/ES/30	30	2	0.44	51	≥0.98	≤10	≤1.7	0.89	045E	1.75
277				0.19	51	≥0.97	≤15	≤1.7	0.89	045E	1.75
120	F32T8/ES/28*	28	2	0.41	49	≥0.98	≤10	≤1.7	0.89	045E	1.82*
277				0.18	47	≥0.97	≤15	≤1.7	0.89	045E	1.89*
120	F32T8/ES/25*	25	2	0.39	46	≥0.98	≤10	≤1.7	0.89	045E	1.93
277				0.17	45	≥0.97	≤15	≤1.7	0.89	045E	1.98*
120	F28T8*	28	2	0.41	49	≥0.98	≤10	≤1.6	0.89	045E	1.82*
277	F28T8U*			0.18	47	≥0.97	≤15	≤1.7	0.89	045E	1.89*
120	F25T8	25	2	0.36	42	≥0.98	≤10	≤1.7	0.89	045E	2.12
277	F25T8U			0.16	41	≥0.96	≤10	≤1.7	0.89	045E	2.17
120	F17T8	17	2	0.25	28	≥0.98	≤10	≤1.7	0.92	045E	3.29
277	F17T8U			0.11	28	≥0.96	≤15	≤1.7	0.92	045E	3.29
120	F40T8	40	1	0.35	44	≥0.98	≤10	≤1.7	1.00	045E	2.27
277				0.16	43	≥0.97	≤15	≤1.7	1.00	045E	2.33
120	F32T8	32	1	0.29	35	≥0.98	≤10	≤1.6	1.06	045E	3.03
277	F32T8U			0.13	35	≥0.97	≤10	≤1.6	1.06	045E	3.03
120	F32T8/ES/30	30	1	0.27	31	≥0.98	≤10	≤1.7	1.06	045E	3.42
277				0.12	30	≥0.97	≤15	≤1.7	1.06	045E	3.53
120	F32T8/ES/28	28	1	0.25	30	≥0.98	≤10	≤1.7	1.08	045E	3.60
277				0.11	29	≥0.97	≤15	≤1.7	1.08	045E	3.72
120	F32T8/ES/25	25	1	0.24	29	≥0.98	≤10	≤1.7	1.08	045E	3.72
277				0.11	29	≥0.97	≤15	≤1.7	1.08	045E	3.72
120	F28T8	28	1	0.25	30	≥0.98	≤10	≤1.7	1.06	045E	3.53
277	F28T8U			0.11	29	≥0.97	≤15	≤1.7	1.06	045E	3.66
120	F25T8	25	1	0.23	26	≥0.98	≤10	≤1.7	1.08	045E	4.15
277	F25T8U			0.10	26	≥0.96	≤15	≤1.4	1.08	045E	4.15
120	F17T8	17	1	0.16	21	≥0.95	≤15	≤1.7	1.10	045E	5.24
277	F17T8U			0.09	21	≥0.95	≤15	≤1.7	1.10	045E	5.24

*Meets NEMA Premium/CEE Standards for Energy Efficiency

PERFORMANCE:

- High efficiency electronic ballast
- Instant Start
- Parallel operation
- High power factor
- Encased and potted
- Sound rated A
- Internal surge protection
- Meets ANSI standard C82.11 and ANSI standard C62.41
- Meets FCC Part 18 (Class A) EMI and RFI non-consumer limits

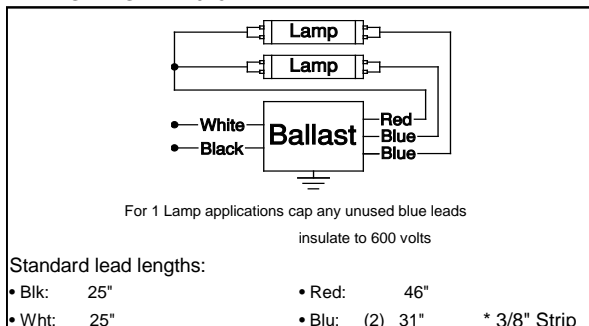
APPLICATION:

- Maximum case temperature: 167°F/75°C
- Maximum ambient temperature: 104°F/40°C
- Minimum starting temperature Std. lamps: 0°F/-18°C
- Minimum starting temperature ES lamps: 60°F/16°C
- Lamp starts: >15,000 starts
- Remote mounting: 18 ft.

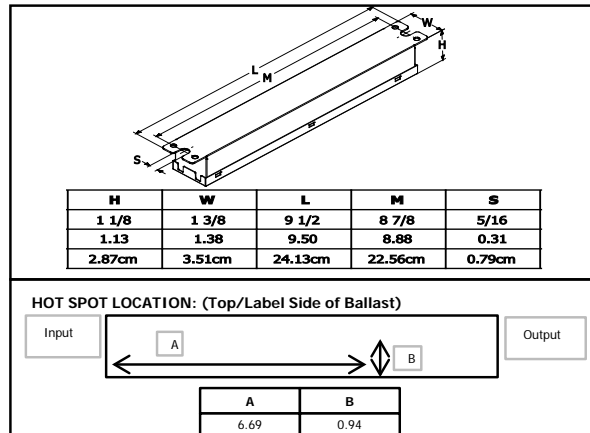
SAFETY:

- UL/935 (Class P, Type HL, Type 1 outdoor) listed
- CSA certified (cUL)
- Inherent Thermal Protection
- No PCB's
- RoHS Compliant

WIRING DIAGRAM: 045E



CASE STYLE: 12E



WARRANTY

Robertson Worldwide warrants to the purchaser that this ballast will be free from defects in material or workmanship for a period of 5 years from date of manufacture when properly installed and under normal conditions of use. For more information on Robertson Worldwide's ballasts, call 1-800-323-5633 or visit www.robertsonww.com. Specifications subject to change without notice.

Revised 12/18/2012

ROBERTSON WORLDWIDE

13611 Thornton Rd, Blue Island, IL 60406, TEL: 1-800-323-5633, FAX: 1-877-388-2420, www.robertsonww.com