



KTEB-226-UV-RS-DW-KIT

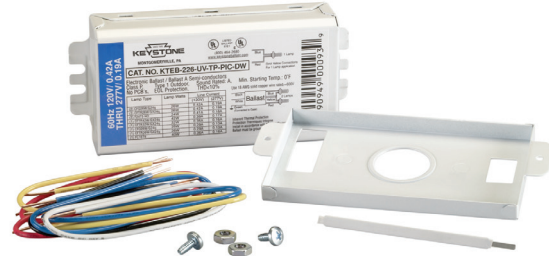
COMPACT FLUORESCENT ELECTRONIC BALLAST

DESCRIPTION

CFL KIT | (1) or (2) 26W CFL | 120-277 Multi-Voltage | High Power Factor | Rapid Start | Dual Wire Case



STARTING METHOD: Rapid Start
LAMP CONNECTION: Series
INPUT VOLTAGE: 120-277VAC ±10%
INPUT FREQUENCY: 60/50 Hz
POWER FACTOR: High
WARRANTY: 5 Years



PRODUCT FEATURES

- Sound Rated: A
- Minimum Starting Temperature: 0°F, -18°C
- Maximum Case Temperature: 167°F, 75°C
- Meets FCC Part 18 (Class B) Consumer Limits
- Transient Protection Meets ANSI/IEEE C62.41 Cat. A
- Ballast Frequency for All Lamps: 20KHz-33KHz
- Lamp End-of-Life Protected
- Class P, Type 1 Outdoor

ELECTRICAL SPECIFICATIONS

LAMP TYPE	NO. OF LAMPS	INPUT VOLTS	INPUT WATTS	INPUT CURRENT (AMPS)	POWER FACTOR	CREST FACTOR	BALLAST FACTOR	BALLAST EFFICACY FACTOR	MAX THD	WIRING DIAGRAM
CFQ26W/G24q	2	120	53	0.45	0.99	1.57	0.95	1.79	10	P2-2
		277	53	0.20	0.98	1.57	0.95	1.79	10	P2-2
	1	120	33	0.27	0.99	1.58	1.10	3.33	10	P1-2
		277	33	0.12	0.96	1.58	1.10	3.33	10	P1-2
CFTR26W/GX24q	2	120	53	0.45	0.99	1.57	0.95	1.79	10	P2-2
		277	53	0.20	0.98	1.57	0.95	1.79	10	P2-2
	1	120	33	0.27	0.99	1.58	1.10	3.33	10	P1-2
		277	33	0.12	0.96	1.58	1.10	3.33	10	P1-2
F24T5 HO	2	120	51	0.44	0.99	1.47	1.00	1.96	10	F2-12
		277	51	0.19	0.98	1.47	1.00	1.96	10	F2-12
CFTR32W/GX24q	1	120	41	0.35	0.99	1.53	1.20	2.93	10	P1-2
		277	41	0.16	0.96	1.53	1.20	2.93	10	P1-2
CFTR42W/GX24q	1	120	49	0.42	0.99	1.48	1.10	2.24	10	P1-2
		277	49	0.19	0.97	1.48	1.10	2.24	10	P1-2
FC16T9	1	120	43	0.36	0.99	1.46	1.00	2.33	10	P1-2
		277	43	0.16	0.97	1.46	1.00	2.33	10	P1-2

PHYSICAL SPECIFICATIONS

CASE DIMENSIONS

	LENGTH	5.00"
	WIDTH	2.40"
	HEIGHT	1.00"
	MOUNTING	4.63"
	CASE STYLE	W1

STANDARD LEAD LENGTHS*

BLACK:	10"
WHITE:	10"
BLUE	10"
RED	10"
YELLOW	10"

Lead wires are 18 AWG 105 C/600V, solid copper.

CASE MATERIAL: Steel

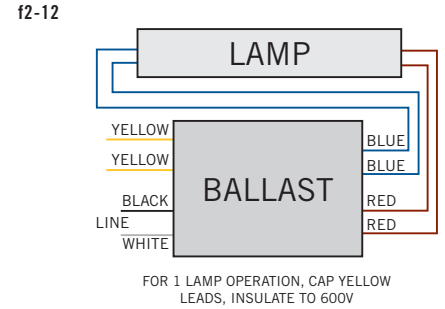
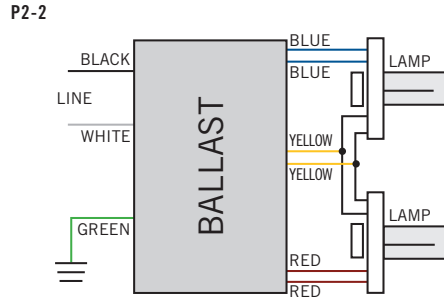
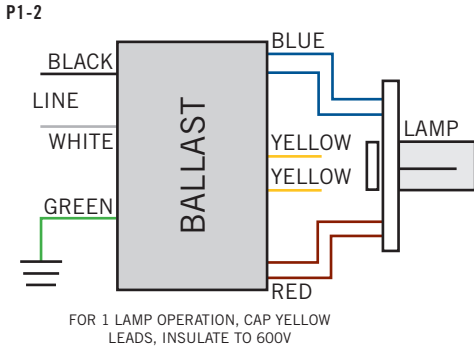
*Consult Keystone for special lead length requirements.



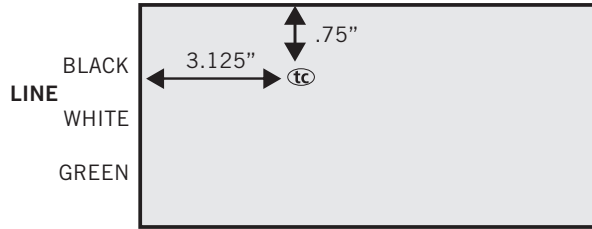
KTEB-226-UV-RS-DW-KIT

COMPACT FLUORESCENT ELECTRONIC BALLAST

WIRING DIAGRAMS



HOT SPOT LOCATION



ORDERING INFORMATION

ORDER CODE	PACKAGING STYLE	PACK QTY.	ITEM STATUS
KTEB-226-UV-RS-DW-KIT	Individual Ballast Kit	1	Quick Ship

CATALOG NUMBER BREAKDOWN

