

LET-151-12 DC

SPECIFICATIONS

UL File Numbers

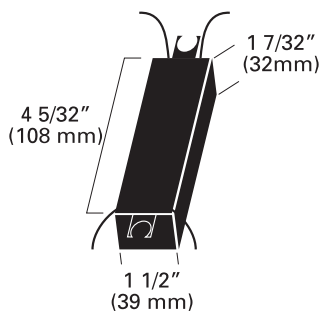
UL and C-UL Recognized
UL FILE # E 164062

Available Versions

901151120-Standard Version

Mechanical and Thermal

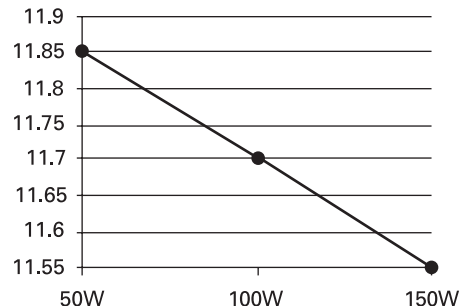
Dimensions 32mm x 39mm x 108mm
Weight 0.5 lbs/225 grams
Lead wire length 6"
Max. case temp. 90°C
Max. ambient temp. 35°C
Output wire-blue-14AWG 200°C
Input wire-white/black-18AWG 150°C
Aluminum casing



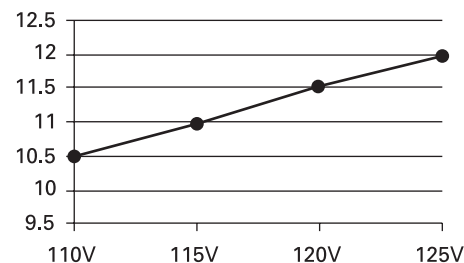
Electrical

Maximum load 150w
Minimum load 50w
Input 120V 60Hz
Output at max load 11.55V 120Hz
Input current at max. load 1.25A
Output current at max. load 12.56A
Power factor 0.985
Max. harmonic distortion <14.8%
Dimmable

Output Voltage vs. Load at 120V



Output vs. Input at Max. Load



Protection

Auto-reset electronic short circuit and overload protection. Auto-Reset thermal cut-off @ 125C.

Wiring Diagram

