

## PRODUCT FEATURES

- ANSI Designation: M135 or M155
- Line Voltage: 480
- Regulation: 10%
- Frequency: 60 Hz
- Recommended Fuse (A): 3
- Circuit Type: CWA
- Insulation Class: 180°C
- Capacitor Value: 26 MF
- Capacitor Voltage Rating: 330 V
- Capacitor Temperature Rating: 90°C
- Winding Materials: Cu/Al
- Lamp Starter: XG-04
- Agency Certification: RU, cRU
- Maximum Distance to Lamp: N/A
- 2 Year Warranty

**LAMP TYPE:** 400W MPS

**INPUT VOLTAGE:** Single Tap (480)

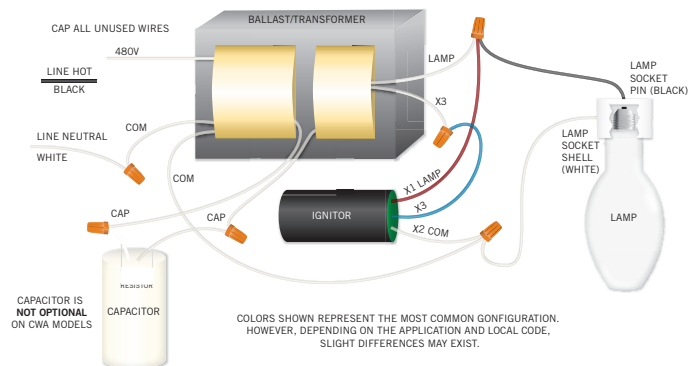
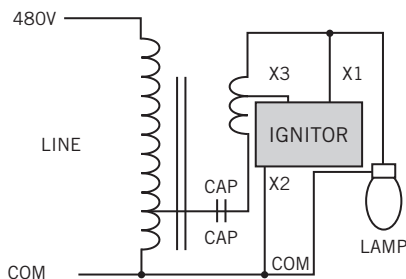
**CIRCUIT TYPE:** CWA

## ELECTRICAL SPECIFICATIONS

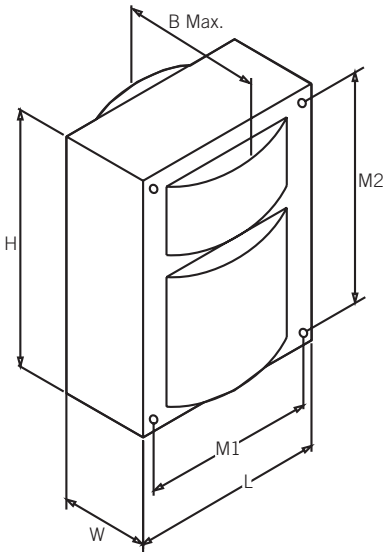
LINE VOLT (V)	POWER FACTOR	LINE CURRENT			INPUT POWER (W)	OPEN CIRCUIT VOLTAGE (V)	MINIMUM START TEMP	UL TEMP CODE	WIRING DIAGRAM
		OPERATING	OPEN	START					
480	High	0.96	0.64	0.85	454	277	-30°C	E	H9A

## WIRING DIAGRAMS

DIAGRAM H9A



## CASE STYLE/DIMENSIONS



### OVERALL DIMENSIONS

LENGTH: 4.25"
WIDTH: 2.11"
HEIGHT: 4.75"
B MAX: 4.72"

### MOUNTING HOLES

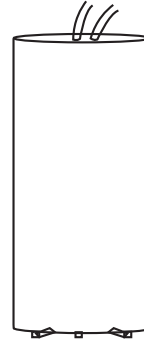
DIAMETER: 0.25"
M1: 3.88"
M2: 4.38"

### BRACKET DIMENSIONS

LENGTH: 7.25"
WIDTH: 1.11"

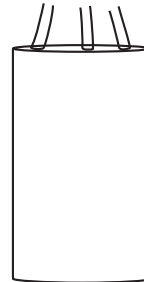
**LEAD LENGTH:** 12-14"

**BALLAST NET WEIGHT:** 11.13 lbs



### CAPACITOR INFO

WATTAGE: 400
MICROFARAD: 26
VOLTAGE: 330V
TYPE: Dry Film



### IGNITOR INFO

LAMP TYPE: Pulse Start Metal Halide
WATTAGE: 400
TYPE:

## ORDERING INFORMATION

ORDER CODE	PACKAGING STYLE	PACK QTY.	ITEM STATUS
MPS-400A-4-KIT		1	Quick Ship
*Kit Includes: Pre-Wired Ballast, Capacitor, Mounting Brackets, Mounting Hardware			

## CATALOG NUMBER BREAKDOWN

# MPS-400A-4-KIT

Pulse Start  
Metal Halide

Input  
Power

CWA  
Circuit

480V,  
Single Tap

HID  
Replacement  
Kit