

Transformers

AUTO-TRANSFORMER 71A9900600



Stepdown transformers and autotransformers are used when you need to connect a lower voltage device to a higher voltage source. Stepdown transformers and autotransformers are used when you need to connect a lower voltage device to a higher voltage source.

Product data

• General Information

Circuit Type	Transformer
Ballast Type	Magnetic HID
Base Model	71A9900
Core Size	7/8" E/I
Suitable For Outdoor Use	Yes

• Operating and Electrical

Input Voltage	120:277 V
Input Frequency	60 Hz
Input Current (Nom)	2.5 A
Rated Lamp Power	250 VA load W

• Wiring

Wire Striplength	0.5 mm
Wire Length By	12"
Color	
Wire Type	Stranded
Remote Wiring Configuration Allowed	Yes

• Mechanical and Housing

Housing Material	Not applicable
------------------	----------------

Housing	NA
Housing Dimensions	NA

• Approval and Application

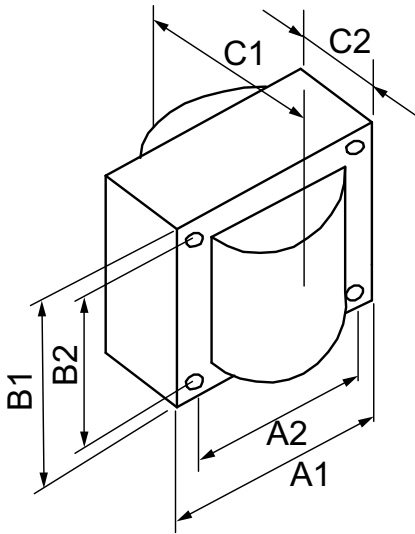
Approval Marks	ULR CSA certificate RoHS Compliant
Temperature Marking	NA
UL Recognized	Yes
UL Insulation Class	H(180°C)
UL Temperature Code	NA

• Product Data

Order product name	AUTO-TRANSFORMER 71A9900600
EAN/UPC - Product	781087081129
Order code	913700566609
Numerator - Quantity Per Pack	1
Numerator - Packs per outer box	16
Material Nr. (12NC)	913700566609
Net Weight (Piece)	1.302 kg

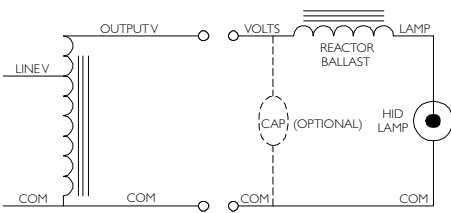
PHILIPS

Dimensional drawing



AUTOXFMR 120:277 250VA C&C

Product	C1	C2	A1	A2	B1	B2
AUTO-TRANSFORMER 71A9900600	3.4 in	1.9 in	2.6 in	2.2 in	2.2 in	1.8 in



© 2016 Philips Lighting Holding B.V.
All rights reserved.

Specifications are subject to change without notice. Trademarks are the property of Koninklijke Philips N.V. (Royal Philips) or their respective owners.

www.philips.com/lighting

2016, February 1
data subject to change