



Postline (74P)

POSTLINE HID HPSBAL 70W S62 120V POSTLINE

Lantern-type, post-top fixtures mounted on slender poles offer require ballasts which fit in the poles. Postline ballasts include a special, elongated core and coil ballast encased and potted in a high temperature resin (Class H, 180°C max.) in cylindrical housings of a diameter to accommodate being placed within a 3" or 4" diameter pole.

Product data

• General Information

ANSI Code	S62
Lamp Type	HPS
Number of Lamps	1 piece/unit
Circuit Type	R-PFC
Ballast Type	Magnetic HID
Base Model	74P7903
Suitable For Outdoor Use	Yes
Ignitor Catalog Number	Inside Can
Capacitor Catalog Number	Inside Can
Automatic Restart	No

• Operating and Electrical

Input Voltage	120 V
Input Frequency	60 Hz
Inp. Current (Open Circuit)	1.3 A
Input Current (Starting)	1.6 A
Input Current (Short Circuit)	1.3-2.0 A
Secondary Short Circuit Current	2.1-3.10 A
Constant Wattage Deviation	Within Trapezoid
Ballast Factor (Nom)	1
Power Factor (Nom)	0.85
Nominal Open Circuit Voltage	120 V
Input Current (Operating) (Nom)	0.75 A A
Input Power (Nom)	84 W
Rated Lamp Watts	70W W

• Wiring

Wire Striplength	0.50 mm
Wire Length By Color	12"
Wire Type	Stranded
Remote Wiring Configuration Allowed	Yes
Max Ballast-Lamp Distance Remote Wiring	10'
Recommended Fuse Value	4 A

• Mechanical and Housing

Housing Material	Metal
Housing	74P
Housing Dimensions	12" x 2.55" x 2.55"

• Approval and Application

Open Circuit Voltage Test (Volts)	109-290 V
Approbation Marks	ULR CSA certificate RoHS Compliant
Temperature Marking	A
UL Recognized	Yes
Hipot Test (1 Minute)	2000 V
Hipot Test (2 Seconds)	2500 V
UL Insulation Class	H(180°C)

Postline (74P)

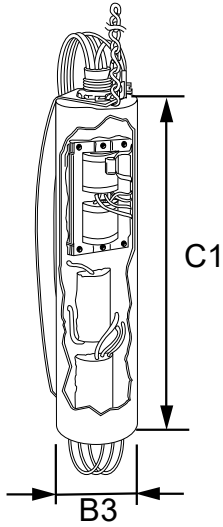
UL Temperature Code 1029A

Order code 74P7903011P
Numerator - Quantity Per Pack 1
Numerator - Packs per outer box 1
Material Nr. (12NC) 913700546709
Net Weight (Piece) 2.346 kg

• Product Data

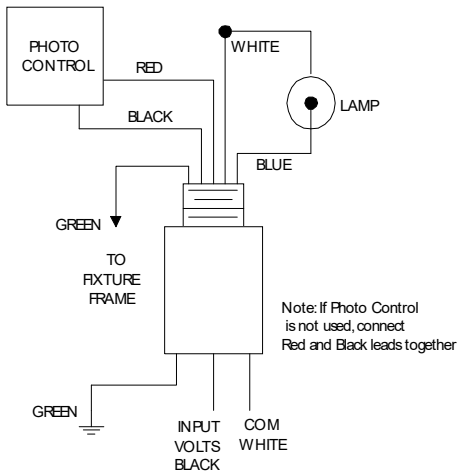
Order product name POSTLINE HID 74P7903011P
EAN/UPC - Product 781087479032

Dimensional drawing



HPSBAL 70W S62 120V POSTLINE

Product	B3	C1
POSTLINEHID 74P7903011P	2.55 in	12 in



© 2016 Philips Lighting Holding B.V.
All rights reserved.

Specifications are subject to change without notice. Trademarks are the property of Koninklijke Philips N.V. (Royal Philips) or their respective owners.

www.philips.com/lighting

2016, February 1
data subject to change