

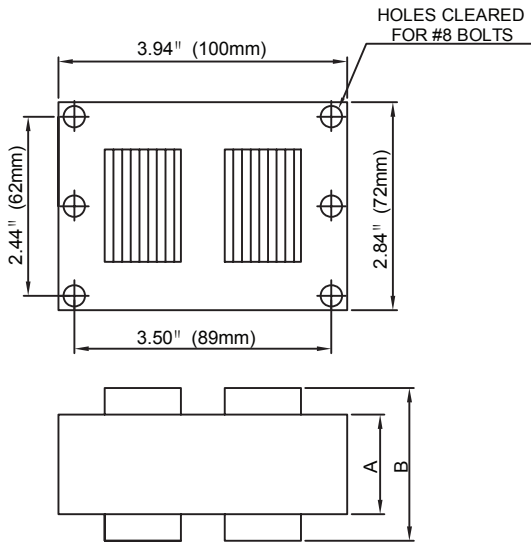
Plusrite®

CATALOG NUMBER: BAPS150-HX/V4

150W M102

**Pulse Start Metal Halide Lamp Ballast
60 Hz HX-HPF**

3X4 CORE.WMF



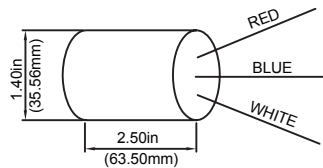
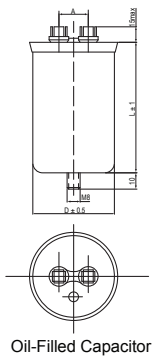
Input Volts		120	208	240	277
Circuit Type	HX-HPF				
REGULATION					
Line Volts	±5%				
Lamp Watts	±10%				
LINE CURRENT(Amps)					
Operating		1.60	1.00	0.80	0.70
Open Circuit		3.50	2.15	1.75	1.55
Starting		1.30	0.95	0.65	0.55
RECOMMENDED FUSE (Amps)					
		9	6	5	4
TEMPERATURE RATINGS					
Insulation Class	180 (H)				
Coil Temperature Code		B	D	C	C
Benchtop Coil Rise		78.0	87.6	80.9	80.5
Power Factor (Min)	90%				
Input Watts	185 W				
Efficiency	81%				
NOM. OPEN CIRCUIT VOLTAGE					
	265				
INPUT VOLTAGE AT LAMP DROPOUT					
		75	120	150	170
MIN AMBIENT STARTING TEMP					
	-20°F/-30°C				

Capacitor:

Microfarads: 16.0 uf
Volts (Max): 330 V
Case Temp(Max): 100°C
D: 1.65 in
L: 2.56 in
A: 0.63 in

Ignitor:

Case Temp (Max): 105 °C
BTL Distance (Max): 2 ft



60 HZ TEST PROCEDURES

High Potential Test (Volts)					
1 Minute		1,600 V			
1 Second		1,900 V			
Open Circuit Voltage Test (V)					
		235 - 295			
Short Circuit Current Test (A)					
Secondary Current	Min	1.95			
	Max	2.45			
Input Current	Min	0.90	0.55	0.45	0.40
	Max	1.70	1.10	0.85	0.75

CORE and COIL Specifications

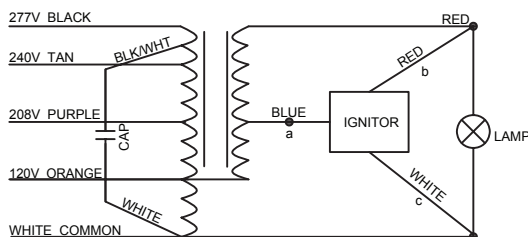
Dimension A (in)	2.25
Dimension B (in)	3.90
Weight (lbs)	7.1
Lead Lengths (in)	12

CAPACITOR REQUIREMENT

Microfarads	16.0 uf
Volts (Min)	280 V

Wiring Diagram:

RoHS



ORDERING INFORMATION

The ballast is prewired comes with a kit including capacitor, ignitor and bracket.

Data is based upon tests performed by Plusrite in a controlled environment and is representative of relative performance. Actual performance can vary depending on operating conditions. Specifications are subject to change without notice.

Coil material: Cu