

EPT-A14T5M

Type: Instant Start Electronic Ballast
Lamp Connection: Parallel
Lamp Types:
Two or Three 14WT5
SLI lamps or cross
reference lamps



SPECIFICATIONS

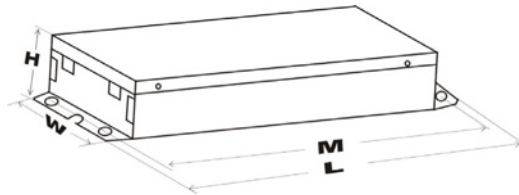
Input Voltage	Number of Lamps	Lamp Type	Lamp Watts	Input Watts (typical)	Input Current (typical)	Power Factor	Max THD	Crest Factor	Ballast Factor	Bench Heat Test at 25°C Ambient
120V	2	14WT5	14W	30W	0.25A	0.99	<10%	<1.7	1.00	60°C
120V	3	14WT5	14W	43W	0.36A	0.99	<10%	<1.7	0.93	60°C
277V	2	14WT5	14W	30W	0.11A	0.99	<10%	<1.7	1.00	60°C
277V	3	14WT5	14W	43W	0.16A	0.98	<10%	<1.7	0.93	60°C

SAFETY & PERFORMANCE

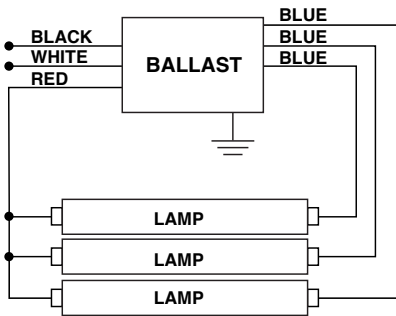
- 120-277V, 50/60Hz Input Voltage
- UL Listed
- cUL Listed
- Type HL
- High Power Factor
- Type 1 Outdoor
- Sound Rated A
- Auto Restart
- Surge Protected
- Class P Thermally Protected (Inherent)
- No PCBs

APPLICATION

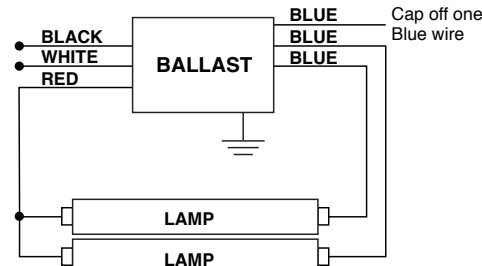
- Minimum Starting Temp -10°C
- Maximum Case Temp 75°C
- Remote Wiring Length up to 18 ft



Dimensions	
Length (L)	9.50"
Width (W)	1.70"
Height (H)	1.14"
Mounting (M)	8.90"
Mounting (S)	1.22"
Hole Diameter	0.209"
Weight	1.10 lbs.
Case Qty.	30 pcs.



THREE LAMP



TWO LAMP

Wire Lengths	
Black	18.8"
White	18.8"
Blue	30.9"
Red	46.4"

INSTALLATION

- Install in accordance with the National Electrical Code
- Use with 600V rated wire
- Use external ground wire
- Do not connect any lamp lead to neutral
- Mounting side of ballast package must be in complete contact with metallic fixture surface for proper thermal dissipation



WARRANTY

AC Electronics warrants to the purchaser that each electronic ballast will be free from defects in material or workmanship for a period of 3 years from the date of manufacture when properly installed and under normal conditions of use.

Administration & Distribution Center: 3401 Avenue D, Arlington, TX 76011
1-800-375-6355 • www.ace-ballast.com

Data is based upon tests performed by AC Electronics in a controlled environment and representative performance. Actual performance can vary depending on operating conditions. Specifications are subject to change without notice. All specifications are nominal unless otherwise noted.

