

Presented By: BallastShop

Contact Phone: 215-561-0069

Contact E-mail: support@ballastshop.com

Customer Name:

Project Name:

Fixture Type:



GE
Lighting

90903 - GE Step dimming ballasts for 2 or 1 F28T5HE lamps

GE228MVPS-N-S35

- ☞ Bi-level Switching 100 to 35%
- ☞ Anti-Striation Control for better light quality, with no striations
- ☞ UL 55C Ambient Rating – High Temperature Protection Circuit
- ☞ Multi-Voltage Technology handles voltage from 120 to 277V
- ☞ For N-1 operation individually insulate each unused yellow lamp lead for 600 Vrms.

GENERAL CHARACTERISTICS

Ambient Temp [Max]	55 °C
Ballast Type	Program / Rapid Start
Dimming Type	Step dimming
Line Voltage Regulation (+/-)	10
Classification (Regulations)	No PCB's UL Listed UL Class P Type HL Type CC Product is compliant with material restriction requirements of RoHS Type 1 Outdoor Meets ANSI Standard C82.11-Cons 2002 Meets ANSI Standard C62.41-1991 FCC Part 18 (Class A) for EMI and RFI Non-Consumer Limits
Sound Rating	A (20-24 decibels)
Starting Method	Programmed Rapid Start
Product Technology	Linear Fluorescent
Lamp Wiring	Series
Power Factor Correction	Active

PRODUCT INFORMATION

Product Code	90903
Description	GE228MVPS-N-S35
Alternative Unit Of Measure	CASE
Standard Package Quantity	
Ean UPC	043168909037
Standard Package GTIN	10043168909034
No Of Items Per Sales Unit	
No Of Items Per Standard Package	
Sales Unit	Case
UCC	043168909037
Alternative Unit Of Measure	EACH
Standard Package Quantity	10
Ean UPC	043168909037
Standard Package GTIN	00043168909037
No Of Items Per Sales Unit	1
No Of Items Per Standard Package	10
Sales Unit	Each
UCC	043168909037

DIMENSIONS

Weight	0.66 kg
Remote Mount Distance	8.0 ft

Case Dimensions

Length	9.5in
Width	1.7in
Height	1.2in

Mounting Dimensions

Mount Length	9.0in
Mount Width	1.05in
Mount Slot	0.323in

Lead Color	Qty	Exit	Length (1 in.)
-------------------	------------	-------------	------------------------

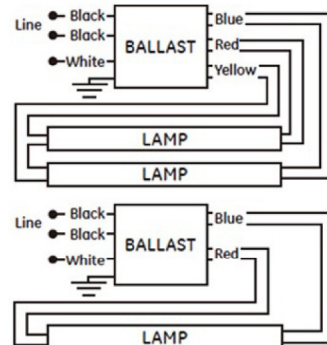
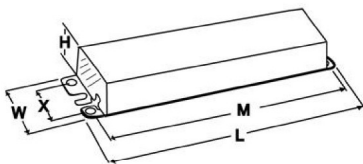
Black	2	Left	20in
White	1	Left	20in
Yellow	2	Right	37in
Red	2	Right	26in
Blue	2	Right	26in

SAFETY & PERFORMANCE

- ☞ No_PCB
- ☞ UL_Listed
- ☞ UL_Cis_P
- ☞ Type_HL
- ☞ Type_CC
- ☞ Pro_comp_res_req
- ☞ UL_Type1_Out
- ☞ Meets_2002
- ☞ Meets_1991

SPECIFICATIONS BY LAMP & WATTAGE

Lamp	# of Lamps	Line Volts	System Watts	Nom. Line Current	System Ballast Factor	Ballast Efficacy Factor	Power Factor% (>=)	Crest Factor (<=)	THD% (<=)	Min. Starting Temp (F/ C)
F28T5/HE	2	277	57	0.24	0.95	2	0.97	1.7	10	0
F28T5/HE	2	120	59	0.55	0.95	1	0.99	1.7	10	0
F28T5/HE	2	120	27	0.28	0.35	1	0.99	1.7	10	0
F28T5/HE	2	277	27	0.13	0.35	1	0.94	1.7	20	0
F28T5/HE	1	120	30	0.27	0.95	3	0.99	1.7	10	32
F28T5/HE	1	277	29	0.12	0.95	3	0.92	1.7	20	32
F28T5/HE	1	120	14	0.13	0.35	2	0.98	1.7	20	32
F28T5/HE	1	277	15	0.07	0.35	2	0.83	1.7	25	32
F28T5/HL	2	277	57	0.24	0.95	2	0.97	1.7	10	32
F28T5/HL	2	120	58	0.55	0.95	2	0.99	1.7	10	32
F28T5/HL	2	277	28	0.12	0.35	1	0.94	1.7	20	32
F28T5/HL	2	120	28	0.26	0.35	1	0.99	1.7	10	32
F28T5/HL	1	120	29	0.27	0.95	3	0.99	1.7	10	32
F28T5/HL	1	120	14	0.12	0.35	2	0.99	1.7	20	32
F28T5/HL	1	277	14	0.07	0.35	2	0.83	1.7	25	32
F28T5/WM	2	120	27	0.25	0.35	1	0.99	1.7	10	32
F28T5/WM	2	277	54	0.22	0.95	2	0.97	1.7	10	32
F28T5/WM	2	120	56	0.53	0.95	2	0.99	1.7	10	32
F28T5/WM	2	277	27	0.11	0.35	1	0.93	1.7	20	32
F28T5/WM	1	120	28	0.26	0.95	3	0.99	1.7	10	32
F28T5/WM	1	120	13	0.12	0.35	3	0.99	1.7	20	32
F28T5/WM	1	277	14	0.06	0.35	2	0.82	1.7	25	32
F21T5/HE	2	120	45	0.42	0.95	2	0.99	1.7	10	32
F21T5/HE	2	277	44	0.18	0.95	2	0.96	1.7	10	32
F21T5/HE	2	120	22	0.22	0.35	2	0.99	1.7	20	32
F21T5/HE	2	277	23	0.1	0.35	1	0.91	1.7	10	32
F21T5/HE	1	120	23	0.21	0.95	4	0.99	1.7	10	32
F21T5/HE	1	120	11	0.1	0.35	3	0.98	1.7	20	32
F21T5/HE	1	277	12	0.06	0.35	3	0.77	1.7	30	32



Dec 13, 2016 2:52:12 AM For additional information, visit www.gelighting.com