

**LCN LED Canopy**  
LCN Series 38W: 3,500 Lumens

Project:	
Catalog#:	
Approved by:	
Date:	

**Description**

LCN series LED Canopy is designed to replace 70W metal halide fixtures. The long LED life and great color rendering makes this fixture attractive for new or retrofit projects.

**Features**

- Low copper die-cast aluminum housing
- Durable polyester powder coat finish
- L70 lifespan: 50,000+ hours
- LED's available in 5000K/CRI 80
- 3,500 Lumens
- Minimum starting temperature: -40°F
- Suitable for use up to 40°C (104°F) ambient temperatures
- Acrylic prismatic refractor lens
- Mounts flush to standard J-box, surface mount conduit, or 3/4" conduit entry on top for pendant mounting using NPT threaded pipe
- 1/2" conduit entries on two sides
- Maximum pendant length is 12" (supplied by others)
- Warranty: 5 years
- Listings: UL and cUL Listed for wet locations.



Click Logo to see  
DLC Listing

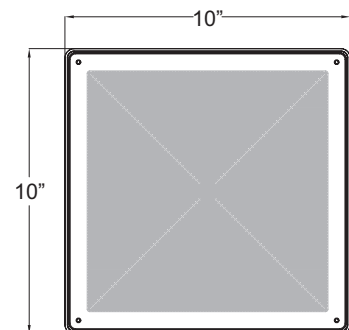
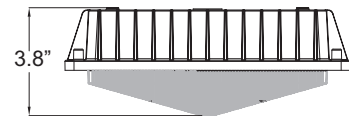
**Applications**

Ideal for parking areas, underpasses, entrances, loading docks, walkways and recreation areas

**Benefits**

- Energy Saving compared to HID systems
- Replaces 70W Metal Halide
- System Efficacy Up to 92 Lm/W
- Long LED Life
- System Tested and Approved by Howard Industries in Mendenhall, Mississippi.
- Compliant with safety and performance standards.

**Dimensions**



**Ordering Information**

UPC Code	Model	Lumens	Input Wattage	Lm/W	CCT/ CRI	Suggested HID Replacement	DLC ID
08254	<b>LCN4050MV</b>	3,500	38W	92	5000K/ 80 CRI	70W MH	PJC1AY1U

Model Family	Power (W)	CRI/CCT	Input Volts
LCN	40	50	MV
LCN	38 Watts	50: 5000K CRI 80	MV: 120-277V



Installation  
Instructions



Zip File