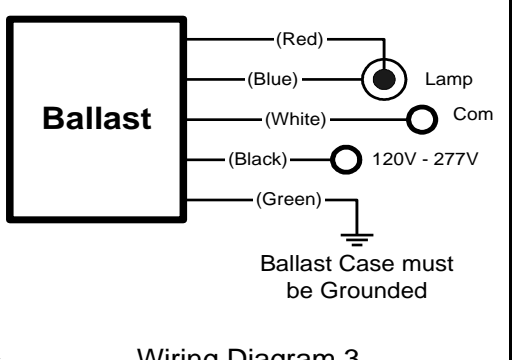
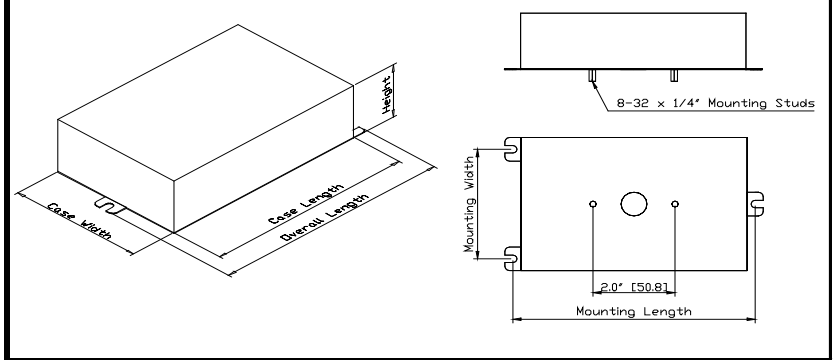
	<b>e-Vision® Electronic Ballast for Metal Halide Lamps</b>	Catalog Number: IMH-100-B For 100W Metal Halide Lamps ANSI C90/M90 or M140 120-277 50/60Hz Electronic Status: RELEASED
---	--	--

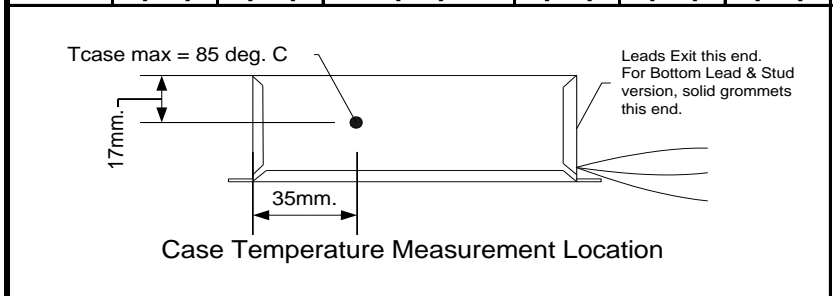
DIMENSIONS AND DATA											
Lamp		Input Volts	Catalog Number*	Line Current (Amps)	Input Power (Watts)	Min Power Factor	Wiring Diag	Fig.	Weight (lb)	Max. Distance to Lamp (ft)	
Number	Watts										

100W Watt Lamp, ANSI Code C90/M90, M140 Minimum Starting Temp -20°C/-4°F											
1	100	120 277	IMH-100-B-XXX	0.92 0.4	110 109	0.9	3	A/B	1.5	5	



Case Figure	Overall Length	Case Length	Case Width	Height	Mounting Length	Mounting Width
A/B	140mm [5.5"]	120mm [4.7"]	92mm [3.6"]	38mm [1.5"]	132mm [5.2"]	73mm [2.9"]

Wiring Diagram 3



- INSTALLATION & APPLICATION NOTES:**
1. Maximum allowable case temperature is 85°C. See figure above for measurement location
  2. Ignition pulse is 4 kV max
  3. All leads are 12 inches long
  4. Ballast output will shutdown after 20 minutes if lamp fails to ignite
  5. Power must be cycled off – then on, after replacing lamp

*Ordering Information	
Order Suffix	Description
-LF	Ballast with side exit leads and mounting feet

Data is based on tests performed by Philips Advance in a controlled environment and is representative of relative performance. Actual performance can vary depending on operating conditions. Specifications are subject to change without notice. All specifications are nominal unless otherwise noted.