

IS64P

Ballast Type: Electromagnetic
 Input Voltage: 120VAC +5%,-10%
 Input Frequency: 60 Hz.

Starting Method: Instant
 Lamp Connection: Series
 Unit Color: Black

Unit Weight: 3.2 lb.
 Carton Quantity: 20
 Skid Quantity: 640

ELECTRICAL SPECIFICATION:

| Line Voltage (V) | Lamp Type | Lamp Watts | No. of Lamps | Line Current (A) | Input Power (W) | Power Factor | Max Current THD (%) | Current Crest Factor | Ballast Factor | Wiring Diagram | B.E.F. |
|------------------|-----------|------------|--------------|------------------|-----------------|--------------|---------------------|----------------------|----------------|----------------|--------|
| 120 | F72T8 | 38 | 1 | 0.41 | 45 | ≥0.92 | ≤30 | ≤1.7 | 0.80 | 014 | 1.78 |
| 120 | F64T6 | 38 | 1 | 0.41 | 45 | ≥0.92 | ≤30 | ≤1.8 | 0.90 | 014 | 2.00 |
| 120 | F42T6 | 25 | 1 | 0.41 | 35 | ≥0.80 | ≤30 | ≤1.8 | 0.90 | 014 | 2.57 |
| | | | | | | | | | | | |

PERFORMANCE:

- Electromagnetic lead type ballast
- Instant Start
- Series operation
- High power factor
- Encased & potted
- Sound Rated A
- Meets ANSI C82.1

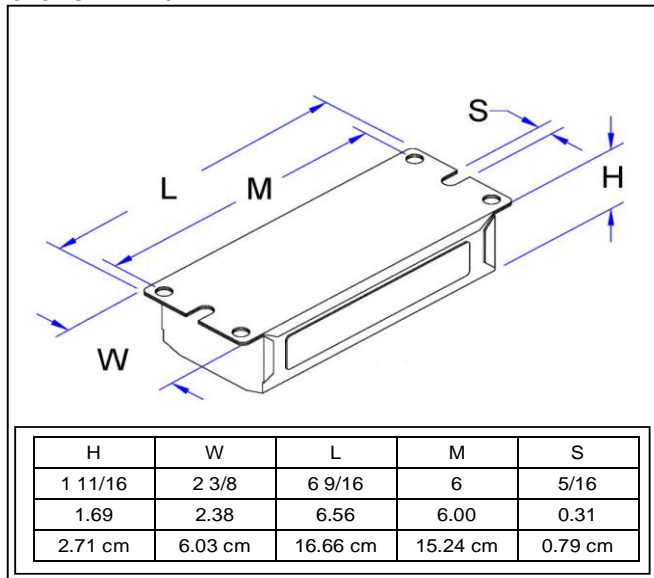
APPLICATION:

- Maximum case temperature: 194°F/90°C
- Maximum ambient temperature: 104°F/40°C
- Minimum starting temperature: 50°F/10°C
- Remote mounting: 10ft.

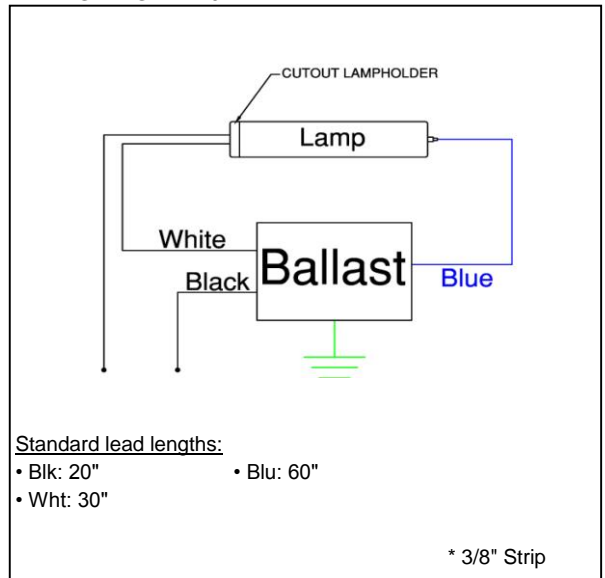
SAFETY:

- UL/935 listed (Class P, Type HL, Type 1 outdoor)
- CSA/C22.2 certified
- Automatic reset thermal protector
- No PCB's
- RoHS compliant

CASE STYLE: 10



WIRING DIAGRAM: 014



WARRANTY

Robertson Worldwide warrants to the purchaser that this ballast will be free from defects in material or workmanship for a period of 2 years from date of manufacture when properly installed and under normal conditions of use. For more information on Robertson Worldwide's ballasts, call 1-800-323-5633 or visit www.robertsonww.com. Specifications subject to change without notice.

Revised 06/22/2011