

DESCRIPTION

4-6 Lamps | T8HO or T12HO | 20'-48' Combined Lamp Length | Series Wiring

STARTING METHOD: Programmed Rapid Start

INPUT VOLTAGE: 120-277VAC ±10%

LAMP CONNECTION: Series

INPUT FREQUENCY: 60Hz

PRODUCT FEATURES

- Sound Rated: A
- Minimum Starting Temperature: -20°F, -29°C
- Maximum Case Temperature: 176°F, 80°C
- Meets FCC Part 18 (Class A) Non-Consumer Limits
- UL, cUL 935 Listed, Class P, Type 2 Outdoor, Type HL

ELECTRICAL SPECIFICATIONS

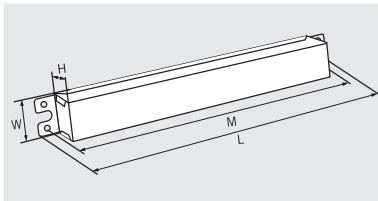
Lamps		Lamp Footage		Input Voltage	Max Input Watts	Nominal Line Amps	Power Factor	Harmonic Total	Crest Factor
Type	Number of Lamps	Min.	Max.						
T12HO	6,5,4	20	48	120	435	3.65	> 0.90	< 10	< 1.7
		20	48	277	420	1.52	> 0.90	< 10	< 1.7
T8HO	6,5,4	20	36	120	390	3.25	> 0.90	< 10	< 1.7
		20	36	277	385	1.39	> 0.90	< 10	< 1.7

LAMP FOOTAGE

Lamp Type	Minimum	Maximum
T12HO	20'	48'
T8HO	20'	36'

MECHANICAL SPECIFICATIONS

CASE DIMENSIONS



LENGTH	16.7"
WIDTH	3.15"
HEIGHT	1.18"
MOUNTING	15.95"
CASE STYLE	L31

STANDARD LEAD LENGTHS*

WHITE	25"
BLACK	25"
RED	72"
YELLOW	72"
BLUE	72"
ORANGE	72"
ORANGE/BLACK	72"
BROWN	72"
BLUE/WHITE	72"

Lead wires are 18 AWG
105°C/600V, solid copper.

CASE MATERIAL: Metal

*Consult Keystone for special lead length requirements.

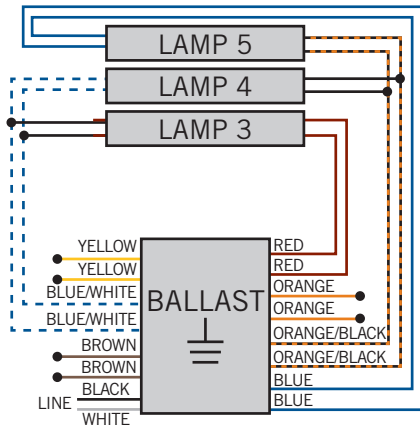
FOR INSTALLATION PURPOSES

Ballast consists of two lamp circuits - Circuit A and Circuit B. Circuit A consists of lamps 1, 2, 3 and Circuit B consists of lamps 4, 5, 6.

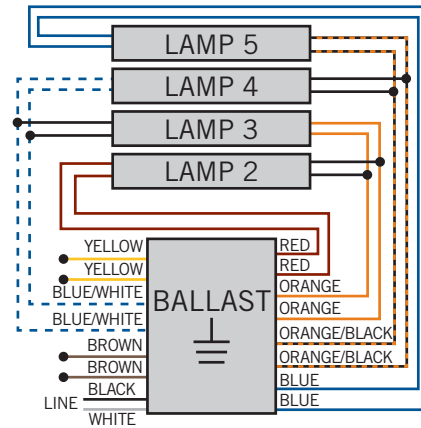
- Each lamp circuit can drive 2 or 3 T12HO lamps in any combination from 10'-24'.
- Each lamp circuit can drive 2 or 3 T8HO lamps in any combination from 12'-18'.

Each lamp circuit should be balanced with equal lamp load (footage).

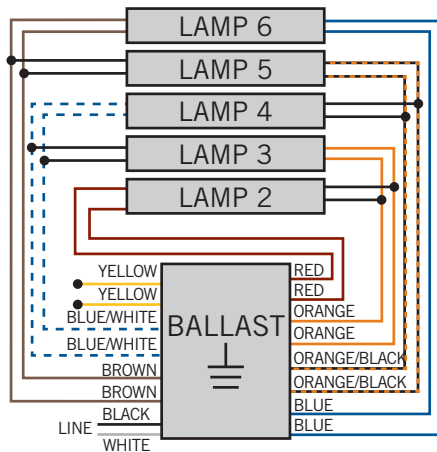
WIRING DIAGRAMS



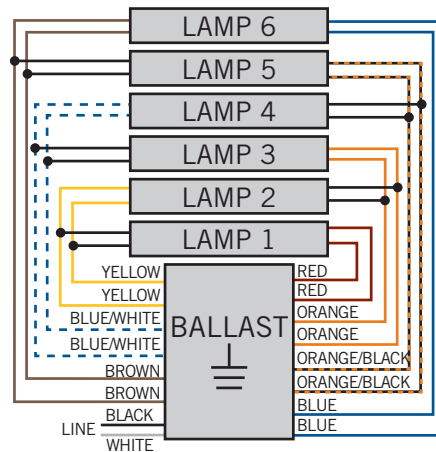
Three Lamp Application, Cap Off
Unused Leads Individually,
Insulate to 600V



Four Lamp Application, Cap Off
Unused Leads Individually,
Insulate to 600V



Five Lamp Application, Cap Off
Unused Leads Individually,
Insulate to 600V



Six Lamp Application



ORDERING INFORMATION

ORDER CODE	PACKAGING STYLE	PACK QTY.	ITEM STATUS
KTSB-E-2048-46-UV-S-IP	Individually Packaged	1	Quick Ship

CATALOG NUMBER BREAKDOWN

KTSB-E-2048-46-UV-S-IP



*Minimum and maximum total lamp length based on T12HO lamps.

This is to confirm that the below dimmer models are compatible with our 0-10V dimming drivers:

Manufacturer	Product	Part Number	Dimmed Light Output Range	Quantity Fixture Per Dimmer
Lutron	DIVA 0-10V control, Single Pole, Preset	DVTV	100%-10%	1-5
Lutron	DIVA 0-10V control / 3 way, Single Pole, Preset	DVSTV	100%-10%	1-5
Lutron	DIVA 0-10V control, Single Pole, Preset	DVSCTV	100%-10%	1-5
Lutron	DIVA 0-10V control / 3 way, Single Pole, Preset	DVSCSTV	100%-10%	1-5
Leviton	Dimmer for 0-10V supplies, no LED indicator	IP710-LFZ	100%-10%	1-5
Leviton	Dimmer for Mark 7 0-10V, with LED indicator	IP710-DLX	100%-10%	1-5

And below are **NOT** compatible with our drivers:

Manufacturer	Product	Part Number	Dimmed Light Output Range	Quantity Fixture Per Dimmer
Lutron	DIVA 0-10V control, Single Pole, Preset	DVTV	100%-10%	1-5
Lutron	DIVA 0-10V control / 3 way, Single Pole, Preset	DVSTV	100%-10%	1-5
Lutron	DIVA 0-10V control, Single Pole, Preset	DVSCTV	100%-10%	1-5
Lutron	DIVA 0-10V control / 3 way, Single Pole, Preset	DVSCSTV	100%-10%	1-5
Leviton	Dimmer for 0-10V supplies, no LED indicator	IP710-LFZ	100%-10%	1-5
Leviton	Dimmer for Mark 7 0-10V, with LED indicator	IP710-DLX	100%-10%	1-5