

L6827

Ballast Type:	Electromagnetic
Input Voltage:	277VAC+5%,-10%
Input Frequency:	60 Hz.

Starting Method:	Preheat
Lamp Connection:	Series
Unit Color:	Black

Unit Weight	0.60 lb
Carton Quantity	55
Skid Quantity	2640

ELECTRICAL SPECIFICATION:

Line Voltage (V)	Lamp Type	Lamp Watts	No. of Lamps	Line Current (A)	Input Power (W)	Power Factor	Max Current THD (%)	Current Crest Factor	Ballast Factor	Wiring Diagram	B.E.F.
277	F4T5	4	1	0.16	14	≥0.35	≤15	≤1.7	0.95	001	6.79
277	F6T5	6	1	0.15	16	≥0.38	≤15	≤1.7	0.95	001	5.94
277	F8T5	8	1	0.14	17	≥0.41	≤15	≤1.7	0.95	001	5.59
277	F13T5	13	1	0.14	19	≥0.48	≤15	≤1.7	0.95	001	5.00

PERFORMANCE:

- Electromagnetic reactor type ballast
- Preheat start
- Series operation
- Normal power factor
- Encased and potted
- Sound rated C
- Meets ANSI C82.1

APPLICATION:

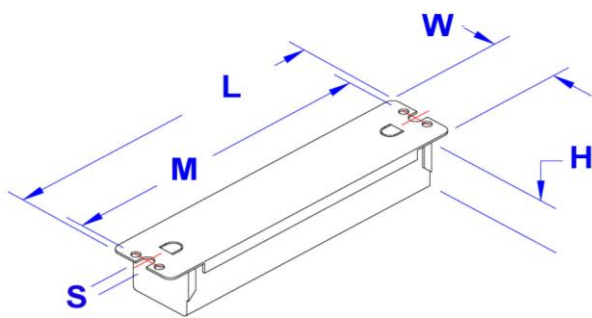
- Maximum case temperature: 194°F/90°C
- Maximum ambient temperature: 104°F/40°C
- Minimum starting temperature Linear: 50°F/10°C
- Remote mounting: 10ft.

SAFETY:

- UL/935 (Type 1 outdoor) listed
- No PCB's
- RoHS Compliant

STYLE:

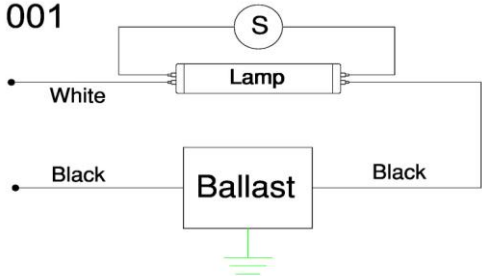
3



H	W	L	M	S
29/32	1 5/32	5 1/4	5	3/16
0.91	1.16	5.25	5.00	0.19
2.31 cm	2.95 cm	13.34 cm	12.70 cm	0.47 cm

WIRING DIAGRAM:

001



Standard lead lengths:

- Blk: (2) 6" * 3/8" Strip

WARRANTY

Robertson Worldwide warrants to the purchaser that this ballast will be free from defects in material or workmanship for a period of 2 years from date of manufacture when properly installed and under normal conditions of use. For more information on Robertson Worldwide's ballasts, call 1-800-323-5633 or visit www.robertsonww.com. Specifications subject to change without notice.

Revised 12/17/10

ROBERTSON WORLDWIDE

13611 Thornton Rd, Blue Island, IL 60406, TEL: 1-800-323-5633, FAX: 1-877-388-2420, www.robertsonww.com