

Universal 120W Power Supply

PL-120-12-U (P-OH120-12-PL)



PERFORMANCE

Input Voltage	100~277 VAC
Input Current	2.2A~0.90A
Input Frequency	47~63Hz
Power Factor	Normal
Output Voltage	DC12V ±3%
Output Current	0-5.0A * 2 (Dual Output)
Output Power	120W Max.

PHYSICAL

Length	6.73" (171mm)
Width	3.46" (88mm)
Height	1.39" (35.5mm)
Mounting Length	7.79" (198mm)
Weight	2.16lbs (980g)
Lead Lengths	SVT Cable 8.66" ±0.39" (220mm ± 10mm)

SAFETY

Over Current Protection	110~120%
Short Circuit Protection	Hiccup mode, auto recover
Other Protection	Over Voltage
UL	UL879 / UL8750
CE-LVD	EN61347-1:2008+A1:2011+A2:2013 EN61347-2-13:2014

ENVIRONMENTAL

CE-EMC	EN55015, EN61527, EN61000
FCC	FCC 47 CFR PART 15, CLASS B
IP Rating	1P67
Operating Temperature	-30°C to 60°C (22°F to 140°F)
Storage Temperature	-40°C to 85°C (40°F to 185°F)
Relative Humidity	20 to ±90% RH non cond.

ORDERING GUIDE

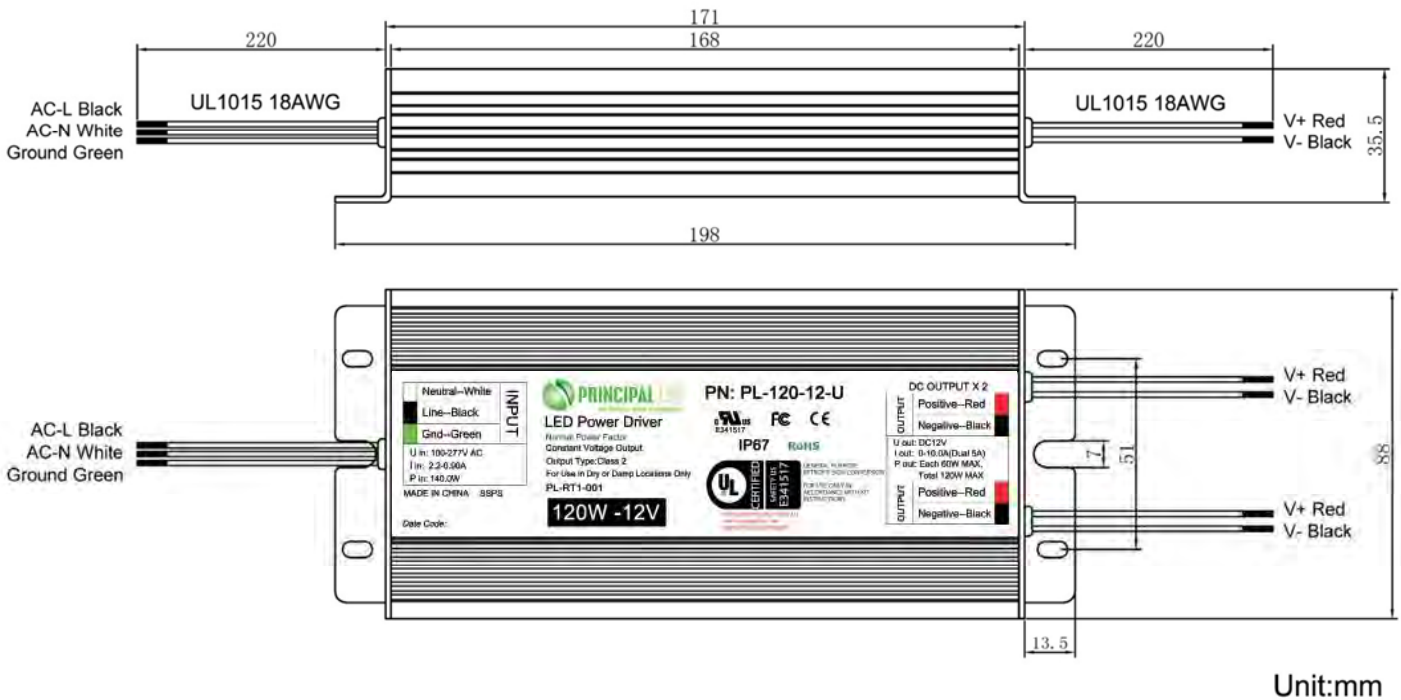
PL-	60-	12-	U
Principal LED Power Supply	Max. 120W	12VDC Output	Universal Input Voltage

FEATURES

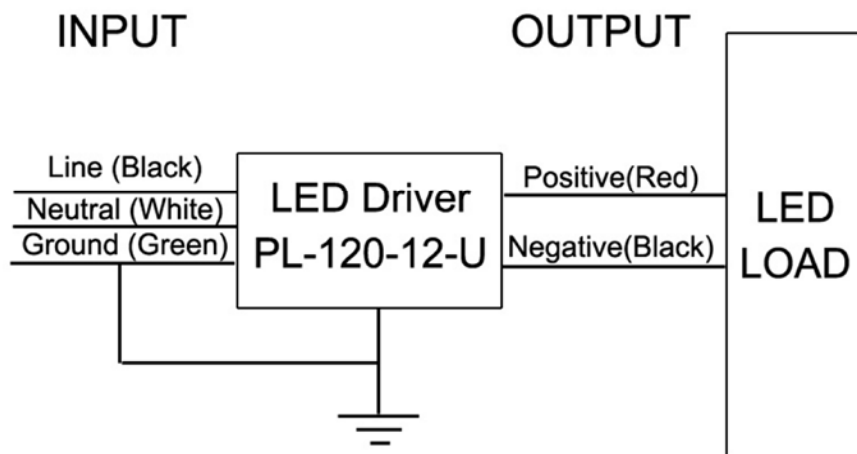
- Universal input voltage 100 ~ 277 VAC
- Aluminum shell, silicone potted
- 100% full load burn-in tested
- Dry or Damp Locations Rated



MECHANICAL OUTLINE:



WIRING DIAGRAM:



www.p-led.com

(325) 227-4577

3490 Venture Drive, San Angelo, Texas 76905

info@p-led.com