

PSM226CQMVW • PSM226CQMVDW • PSM226CQMVDWSW

| | | | | | |
|------------------|----------------------|------------------|------------|------------------|----------------|
| Ballast Type: | Electronic | Starting Method: | Programmed | Unit Weight: | 0.8 lb. |
| Input Voltage: | 120 thru 277VAC ±10% | Lamp Connection: | Series | Carton Quantity: | 50 |
| Input Frequency: | 50/60 Hz. | Unit Color: | White | Skid Quantity: | 1750/1800/1800 |

ELECTRICAL SPECIFICATION:

| Line Voltage (V) | Lamp Type | Lamp Watts | No. of Lamps | Line Current (A) | Input Power (W) | Power Factor | Max Current THD (%) | Current Crest Factor | Ballast Factor | Wiring Diagram | B.E.F. |
|------------------|---------------|------------|--------------|------------------|-----------------|--------------|---------------------|----------------------|----------------|----------------|--------|
| 120 | CFQ26W/G24q | 26 | 1 | 0.26 | 32 | ≥0.98 | ≤10 | ≤1.6 | 1.01 | 152 | 3.16 |
| 277 | CFTR26W/GX24q | | | 0.12 | | | | | | | |
| 120 | CFQ26W/G24q | 26 | 2 | 0.48 | 59 | ≥0.98 | ≤10 | ≤1.5 | 1.00 | 153 | 1.69 |
| 277 | CFTR26W/GX24q | | | 0.21 | | | | | | | |
| 120 | CFTR32W/GX24q | 32 | 1 | 0.32 | 38 | ≥0.98 | ≤10 | ≤1.5 | 1.00 | 152 | 2.63 |
| 277 | CFTR32W/GX24q | | | 0.14 | | | | | | | |
| 120 | CFTR42W/GX24q | 42 | 1 | 0.42 | 49 | ≥0.98 | ≤10 | ≤1.5 | 1.00 | 152 | 2.04 |
| 277 | CFTR42W/GX24q | | | 0.18 | | | | | | | |
| 120 | FT24W/2G11 | 24 | 1 | 0.25 | 32 | ≥0.98 | ≤10 | ≤1.6 | 1.01 | 152 | 3.16 |
| 277 | FT24W/2G11 | | | 0.12 | | | | | | | |
| 120 | FT24W/2G11 | 24 | 2 | 0.45 | 54 | ≥0.98 | ≤10 | ≤1.5 | 1.00 | 153 | 1.85 |
| 277 | FT24W/2G11 | | | 0.20 | | | | | | | |
| 120 | FC12T5 | 40 | 1 | 0.37 | 45 | ≥0.98 | ≤10 | ≤1.6 | 1.00 | 152 | 2.22 |
| 277 | FC12T5 | | | 0.16 | | | | | | | |
| 120 | FC9T5 | 22 | 1 | 0.23 | 28 | ≥0.98 | ≤10 | ≤1.6 | 1.01 | 152 | 3.61 |
| 277 | FC9T5 | | | 0.11 | | | | | | | |
| 120 | FC9T5 | 22 | 2 | 0.46 | 55 | ≥0.98 | ≤10 | ≤1.5 | 1.02 | 153 | 3.09 |
| 277 | FC9T5 | | | 0.20 | | | | | | | |
| 120 | CFS28W/GR10q | 28 | 1 | 0.27 | 33 | ≥0.98 | ≤10 | ≤1.6 | 1.00 | 152 | 3.03 |
| 277 | CFS28W/GR10q | | | 0.13 | | | | | | | |

PERFORMANCE:

- High efficiency electronic ballast
- Programmed start
- Series operation
- High power factor
- Encased & potted
- Sound rated A
- All-star EOL protection:
- Internal surge protection
- Meets FCC Part 18 (Class A) for EMI and RFI non-consumer limits
- Meets ANSI standard C82.11 and C62.41

APPLICATION:

- Maximum case temperature: 194°F/90°C
 - Maximum ambient temperature: 140°F/60°C
 - Minimum starting temperature: -22°F/-30°C†
 - Not recommended for extreme temperature variations
 - Lamp starts: >50,000 starts
 - Remote mounting: 18 ft.
 - Compatible with leading manufacturers of Emergency Battery Packs
- † Please consult lamp manufacturer's data regarding Lumen Output vs. Ambient Temperature.

SAFETY:

- UL/935 (Class P, Type HL, Type CC, Type 1 outdoor)
- CSA/C22.2 certified
- No PCB's

ORDERING INFORMATION:

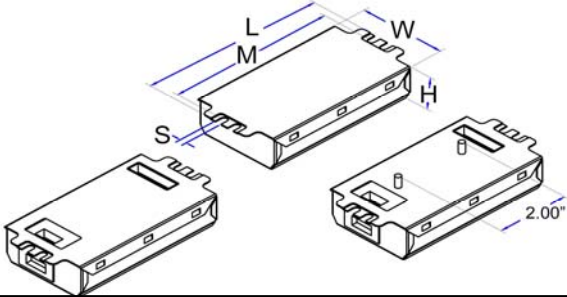
- Side Leads - W (Standard lead lengths 12")
- Dual Entry - DW
- Dual Entry with Studs - DSW
- Use 18AWG solid copper wire (stripped to 3/8")

U.S. PATENT NUMBERS:

6,366,032 B1 and 6,420,838 B1

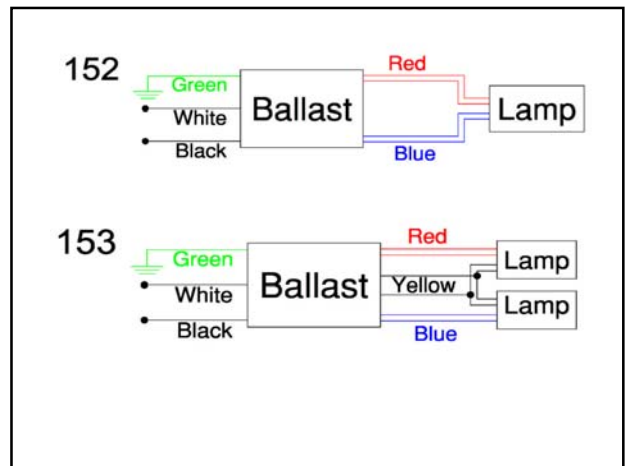
STYLE:

28



| H | W | L | M | S |
|---------|---------|----------|----------|---------|
| 1 | 2 3/8 | 5 | 4 5/8 | 3/16 |
| 1.00 | 2.38 | 5.00 | 4.63 | 0.19 |
| 2.54 cm | 6.05 cm | 12.70 cm | 11.76 cm | 0.47 cm |

WIRING DIAGRAM:



WARRANTY:

Robertson Worldwide warrants to the purchaser that this ballast will be free from defects in material or workmanship for a period of 5 years from date of manufacture when properly installed and under normal conditions of use. For more information on Robertson Worldwide's ballasts, call 1-800-323-5633 or visit www.robertsonww.com. Specifications subject to change without notice

Revised 6/2/09

ROBERTSON WORLDWIDE

13611 Thornton Rd, Blue Island, IL 60406, TEL: 1-800-323-5633, FAX: 1-877-388-2420, www.robertsonww.com