

REI164G6MV

Ballast Type: Electronic
 Input Voltage: 120-277Vac ±10%
 Input Frequency: 50-60Hz

Starting Method: Instant
 Lamp Connection: Parallel

Unit Color: Black
 Unit Weight: 1.7 lbs.

ELECTRICAL SPECIFICATIONS:

Line Voltage (V)	Lamp Type	Lamp Wattage (W)	Approx. Lamp Length (in)	No. of Lamps	Arc Voltage (V)	Lamp Current (mA)	Line Current (A)	Input Power (W)	Energy Efficiency
120	G14T5	14	11	1	33	425	0.16	21	-
230							0.16		-
277							0.08		-
120	G10T5	16	14	1	38	425	0.18	22	-
230							0.11		-
277							0.09		-
120	G36T5, G36T6	39	33	1	92	425	0.40	45	-
230							0.21		-
277							0.16		-
120	TUV36SPT5	40	33	1	94	425	0.40	45	-
230							0.21		-
277							0.16		-
120	G48T6	50	48	1	118	425	0.45	52	-
230							0.24		-
277							0.19		-
120	G64T5(*)	65	61	1	153	425	0.55	65	-
230							0.28		-
277							0.24		-
120	TUV64SPT5	75	58	1	176	425	0.67	81	-
230							0.28		-
277							0.27		-
120	G67T5	79	64	1	186	425	0.72	85	-
230							0.35		-
277							0.31		-

(*) Primary Lamp Type

PERFORMANCE:

- Max Current THD ≤20%
- Current Crest Factor ≤1.5
- Power Factor ≥0.90
- Encased & Potted
- Sound Rated A
- Meets FCC Part 18 (Class A) for EMI and RFI Non-Consumer Limits
- Meets ANSI Standard C62.41 for Transient Protection
- Meets ANSI Standard C82.11 for Ballast Requirements

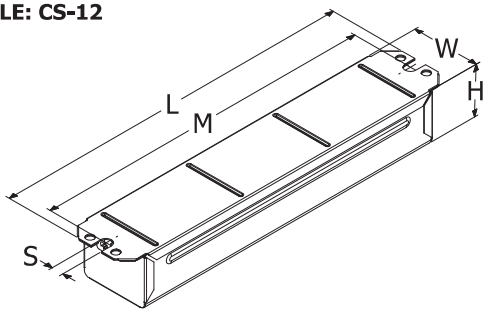
APPLICATION:

- Maximum Case Temperature 167°F/75°C
- Maximum Ambient Temperature 104°F/40°C
- Minimum Starting Temperature -0°F/-18°C
- Lamp Starts >15,000 Starts
- Remote Mounting 18 ft. Max. Lead Length, 18AWG

SAFETY/STANDARDS:

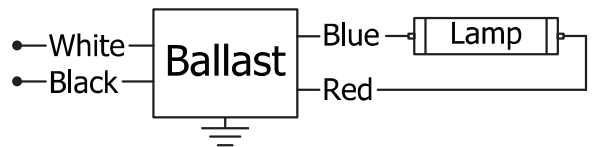
- UL/935 Listed (Class P, Type 1 Outdoor)
- cUL (CSA/C22.2 Certified)
- No PCB's, Type HL
- Inherent Thermal Protection
- RoHS Compliant

CASE STYLE: CS-12



L	W	H	M	S
9-7/16	1-7/8	1-7/16	8-7/8	5/16
9.44	1.88	1.44	8.88	0.31
23.98 cm	4.75 cm	3.66 cm	22.56 cm	0.79 cm

WIRING DIAGRAM: WD-044A



- Black: 12"
- White: 12"
- Tolerance: +1.00, -0.50"
- Strip: 0.375" ± 0.060"
- Blue: 34"
- Red: 48"
- Tolerance: +2.00, -1.00"
- Strip: 0.375" ± 0.060"

WARRANTY:

Robertson Worldwide warrants to the purchaser that this product will be free from defects in material or workmanship for a period of 5 years from date of manufacture when properly installed and under normal condition of use. Specifications subject to change without notice.

For more information on Robertson Worldwide products, visit www.RobertsonLighting.com