

RSN1GPH20120

Ballast Type: Electronic
 Input Voltage: 120VAC ±10%
 Input Frequency: 50-60Hz

Starting Method: Preheat Rapid
 Lamp Connection: Series

Unit Color: White
 Unit Weight: 0.33 lbs.

ELECTRICAL SPECIFICATIONS:

| Line Voltage (V) | Lamp Type | Approx. Lamp Length | Lamp Watts | No. of Lamps | Arc Voltage (V) | Lamp Current (mA) | Line Current (A) | Input Power (W) |
|------------------|------------|---------------------|------------|--------------|-----------------|-------------------|------------------|-----------------|
| 120 | GPH212T5 | 8" | 10 | 1 | 24 | 425 | 0.21 | 13 |
| 120 | GPH229T5 | 9" | 11 | 1 | 26 | 425 | 0.22 | 13 |
| 120 | GPH262T5 | 10" | 13 | 1 | 31 | 425 | 0.23 | 14 |
| 120 | GPH287T5 | 11" | 14 | 1 | 33 | 425 | 0.24 | 15 |
| 120 | GPH305T5 | 12" | 15 | 1 | 35 | 425 | 0.24 | 15 |
| 120 | GPH330T5 | 13" | 16 | 1 | 38 | 425 | 0.25 | 16 |
| 120 | GU7610T5 | 7" U | 16 | 1 | 38 | 425 | 0.27 | 17 |
| 120 | GU2210T5 | 7" U | 16 | 1 | 38 | 425 | 0.27 | 17 |
| 120 | GPH357T5 | 14" | 17 | 1 | 40 | 425 | 0.27 | 17 |
| 120 | GPH383T5 | 15" | 18 | 1 | 42 | 425 | 0.28 | 18 |
| 120 | TUV18WPL-L | 9" | 18 | 1 | 42 | 425 | 0.31 | 20 |
| 120 | GPH406T5 | 16" | 20 | 1 | 47 | 425 | 0.32 | 21 |
| 120 | G15T8 | 18" | 15 | 1 | 35 | 425 | 0.35 | 18 |
| 120 | G20T10 | 24" | 20 | 1 | 47 | 425 | 0.38 | 22 |

PERFORMANCE:

- Max Current THD = ≤ 150%
- Current Crest Factor = ≤ 1.7
- Normal Power Factor = ≥ 0.50
- Normal Ballast Factor
- Encased & Potted
- Sound Rated A
- Meets FCC Part 18 (Class B) for EMI
- Meets ANSI Standard C62.41 for Transient Protection
- Meets ANSI Standard C82.11 for Ballast Requirements

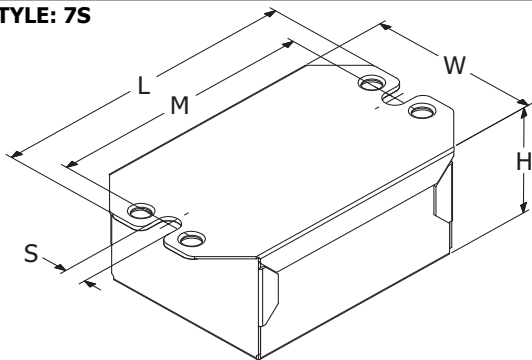
APPLICATION:

- Maximum Case Temperature: 167°F/75°C
- Maximum Ambient Temperature: 104°F/40°C
- Minimum Starting Temperature: -22°F/-30°C
- Lamp Starts: > 15,000 Starts
- Remote Mounting: 18 ft. Max. Lead Length, 18AWG

SAFETY/STANDARDS:

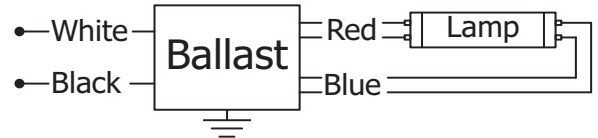
- UL/935 Listed (Class P, Type 1 Outdoor)
- CSA/C22.2 Certified
- No PCB's, Type HL
- Inherent Thermal Protection
- RoHS Compliant

CASE STYLE: 7S



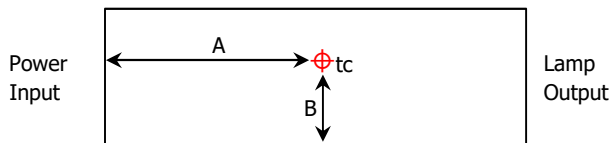
| L | W | H | M | S |
|---------|---------|---------|---------|---------|
| 3 | 1 13/16 | 1 1/8 | 2 3/4 | 3/16 |
| 3.00 | 1.80 | 1.13 | 2.75 | 0.17 |
| 7.62 cm | 4.57 cm | 2.87 cm | 6.99 cm | 0.43 cm |

WIRING DIAGRAM: 003



- Black: 8"
- White: 8"
- Red: (2) 8"
- Blue: (2) 8"
- Tolerance: +1.00, -0.50"
- Strip: 0.375" ± 0.060

HOT SPOT LOCATION: (Top Label Side of Ballast)



A = 1.38" B = 0.59"

WARRANTY:

Robertson Worldwide warrants to the purchaser that this product will be free from defects in material or workmanship for a period of 2 years from date of manufacture when properly installed and under normal condition of use. For more information on Robertson Worldwide ballasts, visit www.robertsonlighting.com Specifications subject to change without notice.