

## S28P • S28PBLS

Ballast Type:	Electromagnetic
Input Voltage:	120VAC +5%,-10%
Input Frequency:	60 Hz.

Starting Method:	Preheat
Lamp Connection:	N/A
Unit Color:	Black

Unit Weight:	2.0 lb.
Carton Quantity:	30
Skid Quantity:	960

**ELECTRICAL SPECIFICATION:**

Line Voltage (V)	Lamp Type	Lamp Watts	No. of Lamps	Line Current (A)	Input Power (W)	Power Factor	Max Current THD (%)	Current Crest Factor	Ballast Factor	Wiring Diagram	B.E.F.
120	CFQ26W/G24d, CFTR26W/GX24d	26	1	0.66	33	≥0.42	≤10	≤1.6	0.96	102	2.91
120	CFS28W/GR8	28	1	0.65	33	≥0.43	≤10	≤1.6	0.97	102	2.94

**PERFORMANCE:**

- Electromagnetic lag type ballast
- Preheat start
- Normal power factor
- Sound rated A
- Encased & potted
- Meets ANSI C82.1

**APPLICATION:**

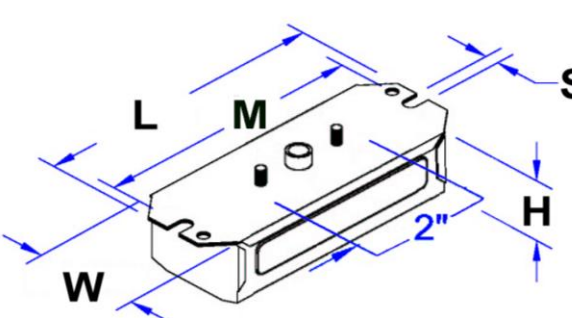
- Maximum case temperature: 194°F/90°C
- Maximum ambient temperature: 104°F/40°C
- Minimum starting temperature: 25°F/-4°C
- Remote mounting: 10 ft.

**SAFETY:**

- UL listed (Class P, Type HL, Type 1 outdoor)
- CSA/C22.2 certified
- Automatic reset thermal protector
- No PCB's
- RoHS Compliant

**STYLE:**

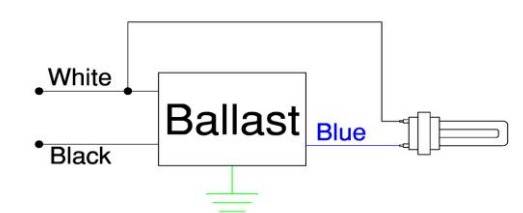
**9**



H	W	L	M	S
1 13/32	1 29/32	6 7/16	6	1/4
1.41	1.91	6.44	6.00	0.25
3.58cm	4.85cm	16.36cm	15.24cm	0.64cm

**WIRING DIAGRAM:**

**102**



Standard lead lengths:

Side leads:	• Blk: 12"	• Blu: 12"	• Wht: 12"
Bottom leads:	• Blk: 12"	• Blu: 12"	• Wht: 12"

\* 3/8" Strip

**WARRANTY**

Robertson Worldwide warrants to the purchaser that this ballast will be free from defects in material or workmanship for a period of 2 years from date of manufacture when properly installed and under normal conditions of use. For more information on Robertson Worldwide's ballasts, call 1-800-323-5633 or visit [www.robertsonww.com](http://www.robertsonww.com). Specifications subject to change without notice.

Revised 12/17/10

**ROBERTSON WORLDWIDE**

 13611 Thornton Rd, Blue Island, IL 60406, TEL: 1-800-323-5633, FAX: 1-877-388-2420, [www.robertsonww.com](http://www.robertsonww.com)