

# QUICKTRONIC® PROStart® T8 QUICKSTEP® Bi-Level Dimming



Normal Ballast Factor

## High Efficiency Series

QHES T8 BI-LEVEL

### Lamp / Ballast Guide

Primary Systems  
32W T8 - OCTRON®  
2-lamp QHES2x32T8/UNV PSN-SC

Also operates:

FB032, FB031, F025, FB024, F017 & FB016

**NOTE: NOT FOR USE WITH ENERGY SAVING T8 LAMPS,** (operation in bi-level mode will cause lamp instability and lamps may not start)

**SYLVANIA QUICKTRONIC High Efficiency PROStart QUICKSTEP** is a programmed rapid start electronic T8 ballasts that will easily switch from 100% to 50% power with standard wall switches. The QUICKSTEP ballast will operate the family of linear and U-bend equivalent T8 lamps at high efficiency. QUICKSTEP bi-level step dim ballasts are specifically designed to meet California's Energy Efficiency Standards (Title 24) for multi-level lighting controls, (Section 131). The combined lamp and ballast system offers a high efficiency system for T8 luminaires along with high performance features that are standard on **SYLVANIA HIGH EFFICIENCY Series ballasts**.

QUICKTRONIC QHE PROStart delivers an optimized programmed rapid start technology which extends T8 lamp life and allows over 100,000 switching cycles for occupancy sensor and building control systems applications.

### Key System Features

- **QUICKSTEP Stepped Switching, bi-level dimming (0.87 BF to 0.34BF)**
- **High Efficiency Systems – over 90% efficient**
- NEMA Premium Ballast compliant
- California Title 24 compliant
- PROStart Programmed Rapid Start
  - Extends lamp life
- Universal input voltage (120-277V)



### System Information

**SYLVANIA QUICKTRONIC PROStart QUICKSTEP High Efficiency (QHES)** ballasts operate from 120V through 277V, eliminating “wrong voltage” wiring errors and reducing the number of models in inventory by 50%.

**QUICKSTEP QHES PROStart** system has two AC line inputs in addition to the neutral wire. These AC line inputs must be connected to the same phase of the line voltage. The two line inputs can be configured to provide a bi-level light output system by wiring with two switches. When both switches are on, the lamps operate at full light output. When either switch is off, the lamps operate in a dimmed mode and the ballast wattage is reduced by 50%.

Alternatively, QUICKSTEP ballasts can be controlled by occupancy sensors allowing for customized zone controls and various energy saving configurations.

### Application Information

**SYLVANIA QUICKTRONIC PROStart T8 QUICKSTEP**

is ideally suited for:

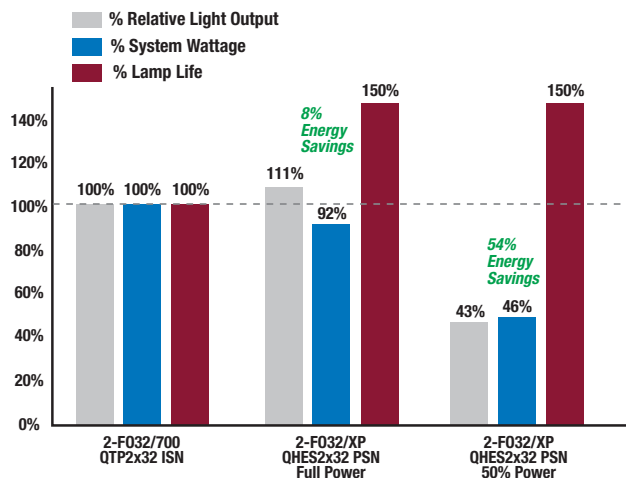
- Office
- Schools
- Commercial
- Retail
- Occupancy sensor usage
- Building control systems
- Institutional



The QUICKTRONIC PROStart QUICKSTEP ballasts also meets the requirements for the NEMA Premium Ballast, (NPB) program. The NPB program promotes the use of high efficiency T8 electronic ballasts by meeting or exceeding the

Ballast Efficiency Factors, (BEF) established by the CEE, (Consortium for Energy Efficiency). For additional information on this program go to: [www.cee1.org](http://www.cee1.org) or [www.nema.org](http://www.nema.org)

Lamp & Ballast Type	BF	Input Power (W)	Initial LPW	Mean System Lumens	Relative Mean Light Output	% System Power	% Energy Savings	% Lamp Life @3hrs/Start
2-F032/700 QTP2x32 ISN	0.88	59	84	4435	100%	100%	0%	100%
2-F032/XP QHES2x32 PSN Full Power	0.87	54	97	4905	111%	92%	8%	150%
2-F032/XP QHES2x32 PSN 50% Power	0.34	27	76	1920	43%	46%	54%	150%



# Normal Ballast Factor

## T8 PROStart® PSN

### High Efficiency

### Performance Guide

Data based upon SYLVANIA OCTRON® lamps shown. QUICKTRONIC® QHE QUICKSTEP PROStart ballasts are also compatible with other lamp manufacturers equivalent lamp types that meet ANSI specifications. NOTE: NOT FOR USE WITH ENERGY SAVING T8 LAMPS, (operation in bi-level mode will cause lamp instability and lamps may not start). QUICKSTEP PROStart ballasts will also operate F32, F25, F17 & U-bend equivalent T8 lamps. Complete performance data is available in the QUICKSYSTEMS section of the SYLVANIA Ballast Technology & Specification Guide.

QHE T8 BI-LEVEL

#### SPECIFICATION DATA

Catalog #	Date	Type
Project	Prepared by	
Comments		

### High Efficiency QUICKSTEP® (Bi-Level) T8 DIMMING SYSTEMS (120-277V)

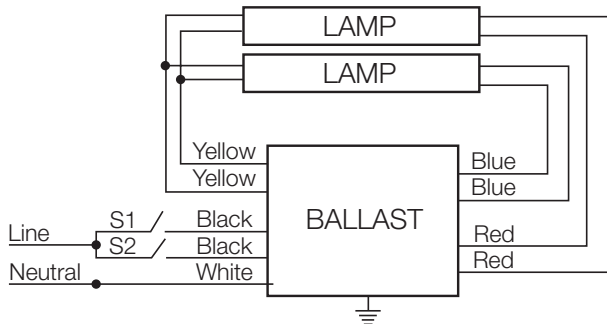


Item Number	OSRAM SYLVANIA Description	Input Current (AMPS)	Lamp Type	Rated Lumens (lm)	No. of Lamps	Ballast Factor (BF)	System Lumens	Mean Lumens	Input Wattage (W)	System Efficacy (lm/W)	BEF <sup>1</sup>
49157	QHEs2x32T8/UNV PSN-SC(@100%)	0.46/0.20	F032/700	2800	2	0.87	4870	4385	55/54	89/90	1.61
	Banded Pack (@50%)	0.23/0.10	F032/700	2800	2	0.34	1905	1715	27	71	1.26
49156	QHEs2x32T8/UNV PSN-SC(@100%)	0.46/0.20	F032XP	3000	2	0.87	5220	4905	55/54	95/97	1.61
	Pallet Pack (@50%)	0.23/0.10	F032XP	3000	2	0.34	2040	1920	27	76	1.26
	(@100%)	0.34/0.16	F025XP	2175	2	0.88	3830	3600	42/41	91/93	2.15
	(@50%)	0.18/0.09	F025XP	2175	2	0.34	1480	1390	22	67	1.55
	(@100%)	0.23/0.11	F017XP	1375	2	0.88	2420	2275	28	86	3.14
	(@50%)	0.15/0.07	F017XP	1375	2	0.34	935	880	18	52	1.89

Banded Pack contains 10 pieces, (add "-B" to Description). Pallet Pack contains 840 pieces, (add "-PAL" to Description).  
 1: Ballast Efficiency Factor (BEF) shown = (Ballast Factor x 100) divided by Input Wattage (Note: calculation based on lowest input wattage).

#### Installation Notes

- Install in accordance with National & Local Electric Code
- Ground Ballast Case
- The AC line inputs must be connected to the same phase of the line voltage
- **DO NOT CONNECT** two separate phases of line voltage to the input of QUICKSTEP ballasts, the ballast will be damaged and not covered by warranty



**2-Lamp QHE (QUICKSTEP)**  
 Full light output (full power) S1 & S2 closed (on)  
 Bi-level mode (50% power) S1 or S2 open (off)

#### Specifications

Data based on F32T8

- Starting Method:** Programmed Rapid Start
- Ballast Factor:** 0.87/0.34
- Circuit Type:** Series
- Lamp Frequency:** >40 kHz
- Lamp CCF:** Less than 1.7
- Starting Temp:<sup>2</sup>**
  - 0°F/-18°C for OCTRON T8 lamps;
  - 32°F/0°C in dimmed mode
- Input Frequency:** 50/60 Hz
- THD:** <10% (full power)  
<20% (@50% power)
- Power Factor:** >97% (full power)
- Voltage Range:** ±10%
- UL Listed Class P, Type 1 Outdoor CSA Certified
- 70°C Max. Case Temp. (5 yr. warranty)
- FCC 47CFR Part 18 Non-Consumer
- Class A Sound Rating
- ANSI C62.41 Cat A. Transient Protection
- Remote Mounting (Max. wire length from ballast case to lampholder): up to 7 feet (keep blue wires short, ie. lamp(s) attached to the blue leads to remain in the fixture that houses the ballast).
- <sup>2</sup> Operation below 50°F/10°C may affect light output or lamp operation – see "Low Temp. Starting" definition.

#### Dimensions:

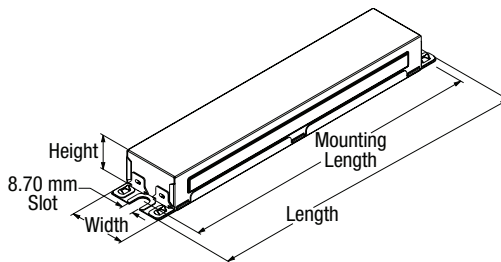
Overall: 9.5" L x 1.68" W x 1.18" H  
 Mounting: 8.90"

#### Product Weight:

1.6 lbs each (approx)

#### Wiring:

Leads only  
 (no connectors provided)



#### System Life / Warranty

QUICKTRONIC products are covered by our QUICK 60+® warranty, a comprehensive lamp and ballast system warranty. For additional details, refer to our QUICK 60+ warranty bulletin.

**OSRAM SYLVANIA**  
 National Customer Service and Sales Center  
 1-800-LIGHTBULB  
 (1-800-544-4828)  
[www.sylvania.com](http://www.sylvania.com)



Specifications subject to change without notice.

Item Number	49157 QHEs 2 x 32T8 / UNV PSN - SC	Enclosure Size: Small Can
QUICKTRONIC High Efficiency		Starting Type/PROStart/Normal Ballast Factor
Step Dim, QUICKSTEP (bi-level)		Line Voltage (120-277V)
Number of Lamps (2)		Primary Lamp Wattage & Type