

SPECIFICATION SHEET : T1M13470350-15V

This Is An Original Product From Fulham Co., Inc

RoHS COMPLIANT **IP64**

Description: ThoroLED Driver- Output max 15W - 347V - 350mA -1 Channel- 0-10V Dimming- Constant Current -18 - 42V Forward Voltage-Compact + Wires + Backside Studs -IP64

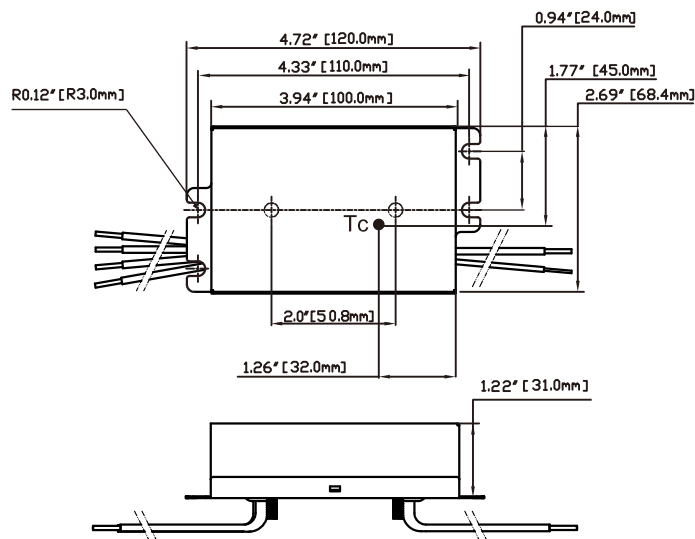
This Driver Will Operate The Following LED Modules:

Any LED module designed to accept constant current input of 350mA and has a forward voltage range of 18-42VDC.

ELECTRICAL DATA

Input Voltage	347VAC, 60Hz
Input Current	56mA
Input Power	19.5W
Power Factor	>0.9
THD	<20%
Efficiency	77% Typical @ Full Load
Driver Type	Constant Current
Output Current	350mA
Output Voltage Range	18-42VDC
Output Wattage	14.7W Max
Number of Output Channels	1
Dimming Controller Type / Dimming Range	0-10VDC / 100%-10%
RFI/EMI	FCC PART 15B CONSUMER
Output Type	CLASS 2
Ambient Operating Temperature Range	-20°C to 70°C
Max Case Temperature at Tc	90°C
Sound Rating	A
Input Surge Protection	Line-Neutral 1kV, Line & Neutral-Ground 2kV
Protections	Input Current Protection
	Output Short Circuit Protection
	Output Open Circuit Protection
	Output To Ground Short Protection
	Overload Protection
Expected Service Life	5 YEARS @ Tc 80°C
Approvals / Class	cURus, RoHS, Dry or Damp Locations, IP64

MECHANICAL DATA

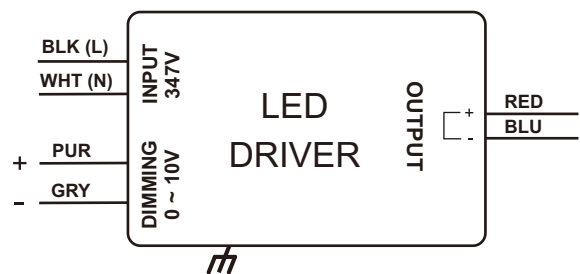


Studs/FH-832-6Z1

Where : L = Length, W = Width, H = Height, Tolerance=±0.02"

WIRING DIAGRAMS

INPUT SIDE	LENGTH	OUTPUT SIDE	LENGTH
BLACK	6" [150mm]	RED	6" [150mm]
WHITE	6" [150mm]	BLUE	6" [150mm]
GREY	6" [150mm]		
PURPLE	6" [150mm]		



NOTE : This Ballast Must Be Grounded

Fulham extends a limited warranty only to the original purchaser or to the first user for a period of 5 years @ Tc 80°C from the date of manufacture when properly installed and operated under normal conditions of use. For complete terms and conditions, please reference the Fulham Product Catalog (www.fulham.com). Due to a program of continuous improvement, Fulham reserves the right to make modifications or variations in design or construction to the equipment described. © Fulham Company Limited, All Rights Reserved.