

Description 0.7A, 40W Constant Current LED Driver with 0-10V dimming. Input of 347VAC.
One 0.7A independent, constant current output channel.

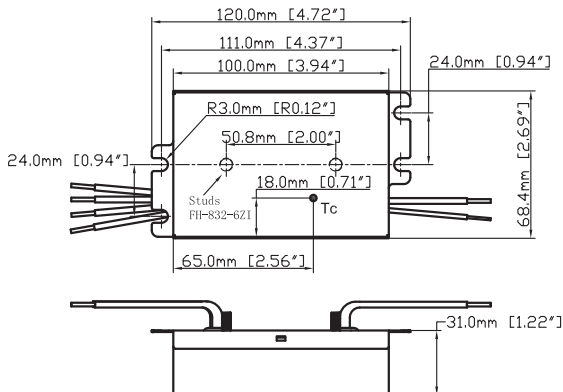
This Driver Will Operate The Following LED Modules:

Any LED module designed to accept constant current input of 0.7 A and has a maximum input voltage of 57V.

ELECTRICAL DATA

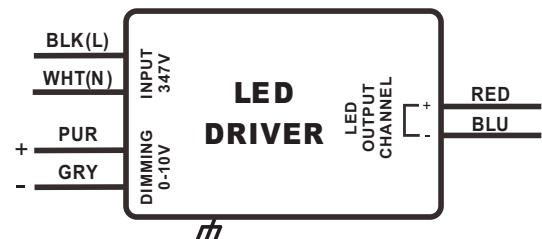
Input Voltage	347VAC, 60Hz
Input Current	0.14A~0.11A
Input Power	48W
Power Factor	>0.9
THD	<20%
Driver Type	Constant Current
Output Current	0.7A
Output Voltage Range	18-57VDC
Output Wattage	40W
Number of Output Channels	1
Dimming	0-10V
RF/EMI	FCC PART 15B CONSUMER, EN55015
Output Type	CLASS 2
Ambient Operating Temperature Range	-20°C to 68°C
Max Case Temperature at Tc	90°C
Sound Rating	A
Protections	Input Surge Protection
	Input Current Protection
	Output Short Circuit Protection
	Output Open Circuit Protection
	Output To Ground Short Protection
Overload Protection	
Expected Service Life	5 YEARS
Approvals / Class	cURus, IP64, CE, RoHS, Dry or Damp Locations, Type HL

MECHANICAL DATA



WIRING DIAGRAMS

INPUT SIDE	LENGTH	OUTPUT SIDE	LENGTH
BLACK	150mm [6"]	RED	150mm [6"]
WHITE	150mm [6"]	BLUE	150mm [6"]
PURPLE	150mm [6"]		
GREY	150mm [6"]		



Fulham extends a limited warranty only to the original purchaser or to the first user for a period of 5 years from the date of manufacture when properly installed and operated under normal conditions of use. For complete terms and conditions, please reference the Fulham product catalog (www.fulham.com)

Due to a program of continuous improvement, Fulham reserves the right to make modifications or variations in design or construction to the equipment described.