

Description : 24VDC, 20W Constant Voltage LED Driver. Universal input range of 100-277V. One, 24VDC independent, constant voltage output channel.

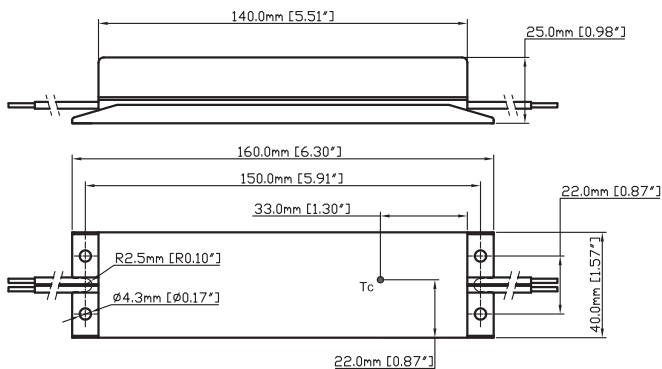
This Driver Will Operate The Following LED Modules:

Any LED module designed to accept constant voltage input up to 24VDC and has a maximum current of 0.833A.

ELECTRICAL DATA

INPUT VOLTAGE	100-277V ± 10%, 50/60Hz
INPUT CURRENT (MAX)	0.25A @ 100V; 0.095A @ 277V
POWER FACTOR (PF)	> 0.9 @ Full Load
THD	≤20% @ Full Load
EFFICIENCY	≥80% @ Full Load
DRIVE METHOD	Constant Voltage
OUTPUT VOLTAGE	24VDC
OUTPUT CURRENT (MAX)	0.833A
OUTPUT WATTAGE	20W
NUMBER OF OUTPUT CHANNELS	1
RFI/EMI	FCC PART 15, CLASS B / EN55015
SOUND RATING	A
SURGE PROTECTION	1kV (L to N), 2kV (L/N to GND)
CURRENT PROTECTION	Fuse
OUTPUT SHORT CIRCUIT PROTECTION	Shutdown and auto recovery, no damage
OUTPUT OPEN CIRCUIT PROTECTION	24Vdc
OUTPUT TO GROUND SHORT PROTECTION	Isolated System
OVER LOAD PROTECTION	30W Max.
MAX. CASE HOT SPOT TEMPERATURE	90°C
AMBIENT TEMPERATURE RANGE	-20°C to +73°C
SERVICE LIFE	50,000 Hours
APPROVALS/CLASS	cURus Class 2, CE, RoHS, Dry or Damp Locations, Type HL

MECHANICAL DATA



WIRING DIAGRAMS

INPUT SIDE	LENGTH	OUTPUT SIDE	LENGTH
BLACK	150mm [6"]	RED	150mm [6"]
WHITE	150mm [6"]	BLUE	150mm [6"]



Fulham extends a limited warranty only to the original purchaser or to the first user for a period of 5 years from the date of manufacture when properly installed and operated under normal conditions of use. For complete terms and conditions, please reference the Fulham product catalog (www.fulham.com)
Due to a program of continuous improvement, Fulham reserves the right to make modifications or variations in design or construction to the equipment described.