

LED Flood Light XFLE Series

Features

- LED: Lumileds
- Color Temperature: 5000K (cool white), other colors available
- Color Rendering Index (CRI): > 70
- Long LED life; L₇₀ > 150,000 hours*
- Rated for Ambient Temperatures between -40°C/-40°F to 40°C/104°F
- Power Factor (PF) > 0.9
- Total Harmonic Distribution (THD) < 20%
- Surge protection: 6kV
- Input Voltage: MV: 120 – 277V; 50/60 Hz
- Input Voltage: HV: 277 – 480V; 50/60 Hz
- Dimmable: 0-10Vdc
- Photocell and motion sensors are optional
- Beam Angle: 90°x120° (NEMA 7Hx6V)
- Ultra-durable Powder Coat Paint
- Standard Color Bronze
- UL/cUL Listed
- IP65
- Warranty: 5 years

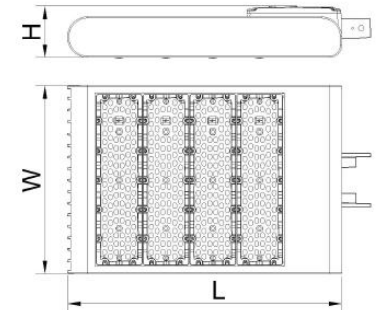
*L₇₀ hours are IES TM-21-11 calculated hours.

Mounting Options

- Slip Fitter (XLE-SF), accessory, can be used to attach fixture to a 2³/₈" OD tenon.
- A mount arm (XLE-ARM), accessory, can be used to attach fixture on a square pole.

Dimensions

Model	Length (in)	Width (in)	Height (in)	Trunnion (in)	Effective Projected Area EPA (sf)	Weight (lbs)
XFLE-5100	11	12 ⁵ / ₈	3 ³ / ₈	Length: 5.7	1.92	14.0
XFLE-5150				Depth: 6.6		
XFLE-5230	14 ¹ / ₈		3 ¹ / ₂	Length: 5.7	2.33	18.0
XFLE-5300	18 ¹ / ₂		Depth: 8.3	2.96	24.5	
			Height: 2.7			



Ordering Information

Model	CCT ¹	Nominal Input Power	Input Voltage ²	Mounting	Light Distribution ³	Driver Identifier (not configurable)	Housing Color ⁴	Comparable to HID
XFLE LED Flood Light	5 5000K	100: 97W, 13,494 Lm	MV 120-277V 50/60 Hz	TR Trunnion Standard	F1 NEMA 7Hx6V	T: Towin I: Inventronics	(blank) Bronze	320W
		150: 150W, 20,680 Lm						400W
		230: 227W, 31,312 Lm						750W
		300: 293W, 40,718 Lm						1000W

Call factory for lead times (12-16 weeks typical & MOQ 50 pcs.) on non-stocked options; ¹ CCT - 3(3000K), 4(4000K); ² Input Voltage - HV(277-480V, 50/60Hz) -Meanwell; ³ Light Distribution - T2(Type 2), T3(Type 3), T4(Type 4); ⁴ Housing Color - BK(Black), GY(Gray), WH(White)

LED Flood Light
XFLE Series

Project:	
Catalog#:	
Approved by:	

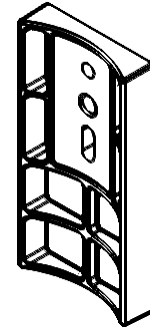
Accessories



XLE-SF: Slip Fitter



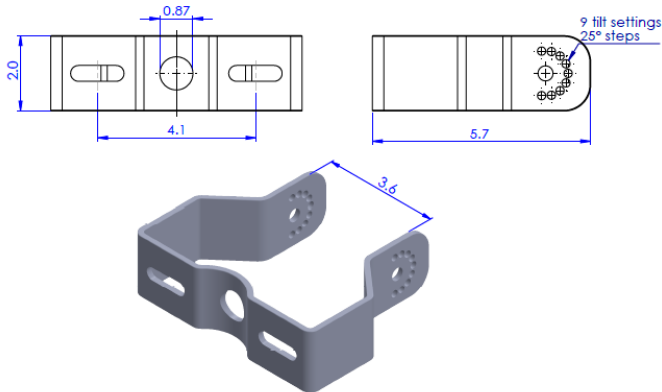
XLE-ARM: Mount Arm



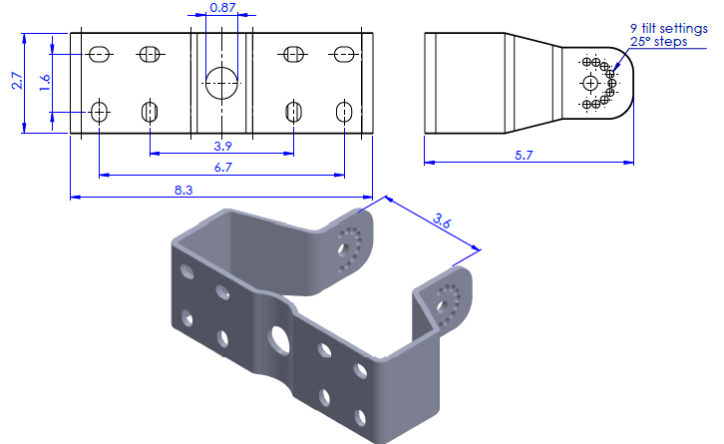
XAL-RPA: Round Pole Adapter

Mounting Details (inches):

For 100, 150, & 230W luminaires



For 300W luminaire



Performance Details (w/ F1 optic):

	Output Lumens		Input Power (W)	Efficacy LPW	Comparable to HID
	@4000K CCT	@5000K CCT			
XFLE-*100 HV Series	14,279		97	147	320W
XFLE-*150 HV Series	21,618		155	140	400W
XFLE-*230 HV Series	32,456		235	138	750W
XFLE-*300 HV Series	41,902		302	139	1000W

Where * represents CCT: 4=4000K, 5=5000K

Note: HV Series are non-stocked, there is a typical 12-16 weeks lead time & MOQ 50 pcs.