

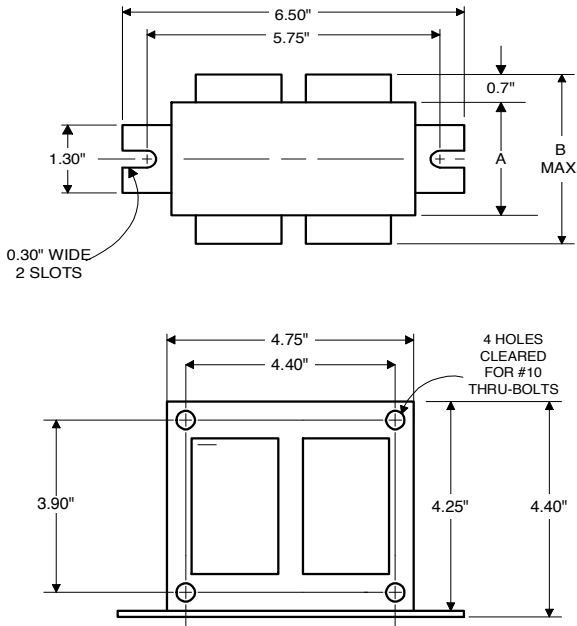


Low Pressure
Sodium
Lamp Ballast

Catalog Number 71A0590
For 90W L72
60 Hz HX-HPF
Status: Active

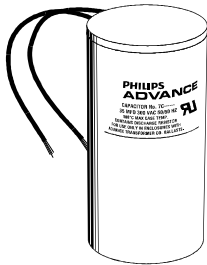
DIMENSIONS AND DATA

4 1/4 X 4 3/4 CORE - 2 COIL UNIT



	120	208	240	277	
INPUT VOLTS					
CIRCUIT TYPE	HX-HPF				
POWER FACTOR (min)	90%				
REGULATION					
Line Volts	±5%				
Lamp Watts	±10%				
LINE CURRENT (Amps)					
Operating.....	1.06	0.60	0.53	0.50	
Open Circuit.....	4.10	2.30	2.00	1.75	
Starting.....	1.15	0.65	0.60	0.52	
UL TEMPERATURE RATINGS					
Insulation Class	H(180°C)				
Coil Temperature Code	1029				
MIN. AMBIENT STARTING TEMP.	-20°F or -30°C				
NOM. OPEN CIRCUIT VOLTAGE	515				
INPUT VOLTAGE AT LAMP DROPOUT.....	65	110	120	140	
INPUT WATTS	125				
RECOMMENDED FUSE (Amps).....	11	6	5	5	
CORE and COIL					
Dimension (A)	1.75				
Dimension (B)	3.25				
Weight (lbs.)	10				
Lead Lengths	12"				
CAPACITOR REQUIREMENT					
Microfarads	17.5				
Volts (min.)	330				
Fault Current Withstand (amps)					
60 Hz TEST PROCEDURES (Refer to Advance Test Procedure for HID Ballasts - Form 1270)					
High Potential Test (Volts)					
1 minute	2000				
2 seconds	2500				
Open Circuit Voltage Test (Volts)	460-565				
Short-Circuit Current Test (Amps)					
Secondary Current	0.90-1.10				
Input Current.....	0.32-0.48	0.17-0.26	0.16-0.24	0.13-0.20	-

Capacitor: 7C175M30-R



Capacitance: 17.5
Dia/Oval Dim: 1.5
Height: 3.75
Temp Rating: 105°C

Wiring Diagram:

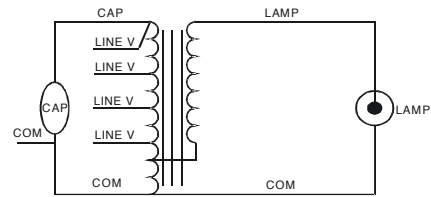


Fig. Q4

Ordering Information

Order Suffix	Description

Ignitor:

NA

This ballast does not require the use of an ignitor.

Data is based upon tests performed by Advance Transformer in a controlled environment and representative of relative performance. Actual performance can vary depending on operating conditions. Specifications are subject to change without notice.

ADVANCE TRANSFORMER CO.

O'HARE INTERNATIONAL CENTER · 10275 WEST HIGGINS ROAD · ROSEMONT, IL 60018
Customer Support/Technical Service: Phone: 800-372-3331 · Fax: 847-768-7768
Corporate Offices: Phone: 800-322-2086

05/19/05