

B232SR120S30

APPLICATION and PERFORMANCE SPECIFICATION

Description: High frequency, switch dimming electronic ballast for (2) F32T8 lamps
Also equivalent U-shaped lamps

- Line Voltage: 120vac, ±10%, 60Hz
- Series Lamp Operation
- Rapid Start
- Active Power Factor Correction

Ballast Voltage	Lamp		Input Watts	Nominal Line Amps	Power Factor	Ballast Factor	Ballast Efficacy Factor	Harmonic Total	Crest Factor
	Type	#							
120	F32T8@100%	2	62	0.52	>.99	.88	1.42	< 10%	<1.7
120	F32T8@60%	2	45	0.38	>.95	.58	1.29	< 10%	<1.7
120	F32T8@30%	2	28	0.24	>.95	.27	0.96	< 10%	<1.7

Application and Performance Specification Information Subject to Change without Notification.

Performance:

- Meets ANSI Standard C82.11-1993
- Meets ANSI Standard C62.41-1991
- Meets FCC Part 18 (Class A) for EMI and RFI Non-Consumer Limits

Safety:

- No PCB's
- cULus listed (Class P, Type 1 Outdoor)

Application:

- Minimum Starting Temperature: 50° F, 10° C
- Maximum Ambient Temperature: 105° F, 40° C
- Sound Rated: A
- Compatible with "Powerline Carrier" (PLC) Systems and/or infrared systems
- Dimming Range: Step; 100%, or 60%, or 30% light output
- Remote Mounting: 12 ft.

Physical Parameters:

- Length: 9.50"
- Width: 2.40"
- Height: 1.55"
- Weight: 2.30 lbs.
- Carton Qty: 10
- Lead Length: White, Black 25" (± 1")
Black/White 25" (± 1")
Red, Blue 33" (± 1")
Yellow 51" (± 1")

Warranty:

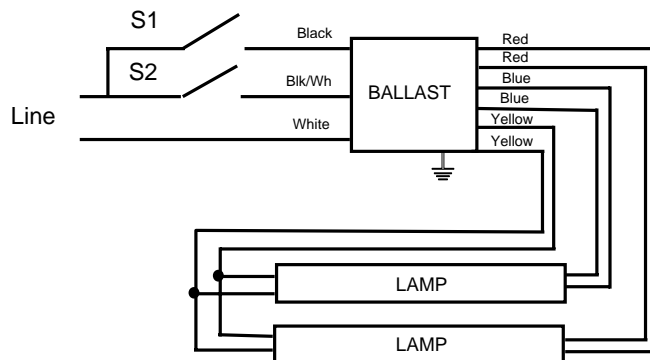
Universal Lighting Technologies warrants to the purchaser that each electronic ballast will be free from defects in material or workmanship for a period of 5 years from date of manufacture when properly installed and under normal conditions of use. Call **1-800-BALLASTx800** for technical assistance.

Dimming Control : Two(2) WALL SWITCHES or RELAYS:

- S1(black) ON and S2 Off = 60%
- S2(black/white) ON and S1 Off = 30%
- S1 and S2 ON = 100%

IMPORTANT: S1 & S2 MUST BE WIRED ON SAME PHASE OF CIRCUIT

Manufactured in North America



**Ballast Case
Must be
Grounded**