

B254PUNV-D

APPLICATION and PERFORMANCE SPECIFICATION

Description: Electronic ballast for (2 or 1) F54T5HO, FT50W/2G11, FT55W/2G11, FC12T5-55W, FT36W/2G11 fluorescent lamps

- Line Voltage: 120 - 277 vac, ±10%, 50/60Hz
- Auto Reset End of Lamp Life Shutdown Circuitry
- Series Lamp Operation
- Programmed Rapid Start
- Active Power Factor Correction

*60 Hz data

Lamp		Volts	Input Watts	Nominal Line Amps	Power Factor	Ballast Factor	Ballast Efficacy Factor	Harmonic Total	Crest Factor
Type	#								
F54T5HO	2	120	120	1.03	>.99	1.00	0.83	<10%	<1.7
F54T5HO	2	277	117	0.43	>.98	1.00	0.85	<10%	<1.7
F54T5HO	1	120	63	0.52	>.99	1.02	1.62	<10%	<1.7
F54T5HO	1	277	62	0.23	>.95	1.02	1.65	<10%	<1.7
FT55W/2G11	2	120	112	0.93	>.99	0.90	0.80	<10%	<1.7
FT55W/2G11	2	277	109	0.40	>.98	0.90	0.83	<10%	<1.7
FT55W/2G11	1	120	58	0.48	>.99	0.92	1.59	<10%	<1.7
FT55W/2G11	1	277	58	0.22	>.95	0.92	1.59	<10%	<1.7
FT50W/2G11	2	120	112	1.00	>.99	1.10	0.98	<10%	<1.7
FT50W/2G11	2	277	109	0.43	>.98	1.10	1.01	<10%	<1.7
FT50W/2G11	1	120	60	0.50	>.99	1.12	1.87	<10%	<1.7
FT50W/2G11	1	277	59	0.22	>.95	1.12	1.90	<10%	<1.7
FC12T5-55W	2	120	106	0.88	>.99	0.85	0.80	<10%	<1.7
FC12T5-55W	2	277	103	0.38	>.98	0.85	0.83	<10%	<1.7
FC12T5-55W	1	120	56	0.46	>.99	0.87	1.55	<10%	<1.7
FC12T5-55W	1	277	56	0.21	>.95	0.87	1.55	<10%	<1.7
FT36W/2G11	2	120	90	0.75	>.99	1.20	1.33	<10%	<1.7
FT36W/2G11	2	277	88	0.32	>.98	1.20	1.36	<10%	<1.7
*FT36W/2G11	1	120	44	0.37	>.99	1.22	2.77	<10%	<1.7
*FT36W/2G11	1	277	44	0.17	>.90	1.22	2.77	<10%	<1.7

Application and Performance Specification Information Subject to Change without Notification.

*Consult lamp manufacturers for applications with Ballast Factor > 1.20.

Performance:

- Meets ANSI Standard C82.11-1993
- Meets ANSI Standard C62.41-1991
- Meets FCC Part 18 (Class A) for EMI and RFI Non-Consumer Limits

Safety:

- No PCB's
- UL listed (Class P, Type 1 Outdoor)
- CSA Certified

Application:

- Minimum Starting Temperature: 0° F, -18° C with no remote mounting: -20° F, -29° C
- Maximum Case Temperature: 167° F, 75° C
- Sound Rated: A
- Remote Mounting: Up to 20 ft.
- Consult factory for Tandem Wiring

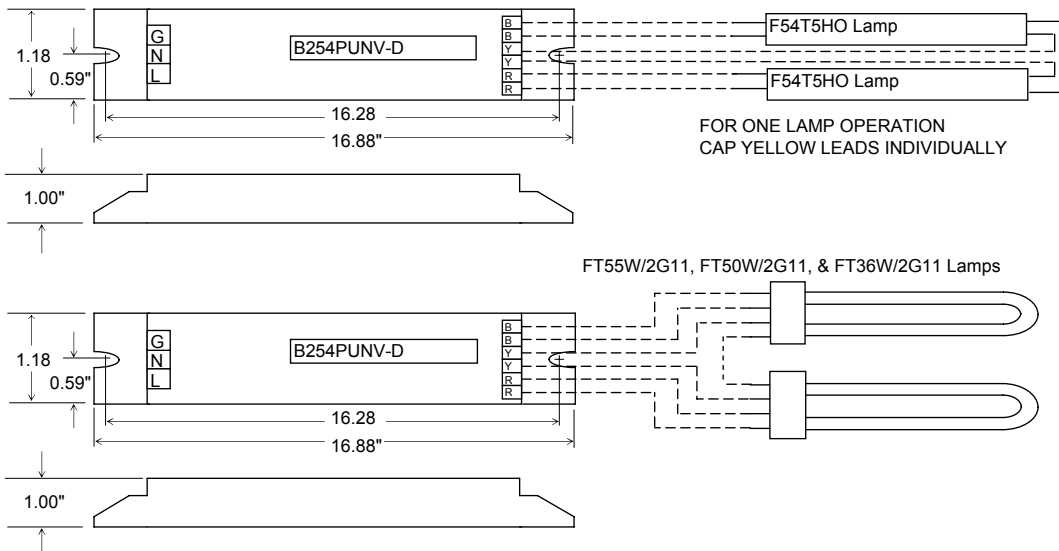
Physical Parameters

- | | Inches | Metric |
|---------------------------------------|----------------------|----------|
| • Mounting Length: (Center to Center) | 16.28" +/- 0.010" | 413.5 mm |
| • Overall Length: | 16.88" +/- 0.010" | 428.8 mm |
| • Width: | 1.18" +0.03"/- 0.02" | 30.0 mm |
| • Height: | 1.00" +0.04"/- 0.01" | 25.4 mm |
| • Weight: | 1.25 lbs | 1.0 kg |
| • Carton Quantity: | 10 pieces | |

Warranty:

Universal Lighting Technologies warrants to the purchaser that each electronic ballast will be free from defects in material or workmanship for a period of 5 years from date of manufacture when properly installed and under normal conditions of use. Call **1-800-BALLASTx800** for technical assistance.

Manufactured in North America



FOR ONE LAMP OPERATION
CAP YELLOW LEADS INDIVIDUALLY

FT55W/2G11, FT50W/2G11, & FT36W/2G11 Lamps