

B332IHRVHB-E

APPLICATION and PERFORMANCE SPECIFICATION

Description: High frequency electronic ballast for (2 or 3) F32T8, (2 or 3) F32T8ES, (2 or 3) F28T8, (2 or 3) F32T8ES (25W). Also equivalent U-shaped lamps.

- Line Voltage: 347 - 480 vac, ± 10%, 50/60Hz
- Series Lamp Operation
- Instant Start
- Active Power Factor Correction

60 Hz data

Lamp		Volts	Input Watts	Nominal Line Amps	Power Factor	Ballast Factor	Ballast Efficacy Factor	Harmonic Total	Crest Factor
Type	#								
F32T8	3	347	110	0.32	> .98	1.18	1.07	< 10%	< 1.7
F32T8	3	480	109	0.24	> .95	1.18	1.08	< 10%	< 1.7
F32T8	2*	347	76	0.22	> .97	1.22	1.61	< 10%	< 1.7
F32T8	2*	480	76	0.17	> .90	1.22	1.61	< 10%	< 1.7
F32T8ES (30W)	3	347	102	0.30	> .98	1.18	1.16	< 10%	< 1.7
F32T8ES (30W)	3	480	101	0.22	> .95	1.18	1.17	< 10%	< 1.7
F32T8ES (30W)	2*	347	71	0.21	> .97	1.22	1.72	< 10%	< 1.7
F32T8ES (30W)	2*	480	71	0.16	> .90	1.22	1.72	< 10%	< 1.7
F32T8ES (25W)	3	347	88	0.26	> .97	1.11	1.26	< 10%	< 1.7
F32T8ES (25W)	3	480	88	0.19	> .90	1.11	1.26	< 10%	< 1.7
F32T8ES (25W)	2	347	61	0.18	> .95	1.14	1.87	< 10%	< 1.7
F32T8ES (25W)	2	480	61	0.14	> .90	1.14	1.87	< 10%	< 1.7
F28T8	3	347	94	0.28	> .97	1.18	1.26	< 10%	< 1.7
F28T8	3	480	94	0.21	> .90	1.18	1.26	< 10%	< 1.7
F28T8	2*	347	65	0.19	> .97	1.22	1.88	< 10%	< 1.7
F28T8	2*	480	65	0.15	> .90	1.22	1.88	< 10%	< 1.7

Application and Performance Specification Information Subject to Change without Notification.

* Consult lamp manufacturer for operation with Ballast Factor > 1.2

Performance:

- Meets ANSI Standard C82.11-1993
- Meets ANSI Standard C62.41-1991
- Meets ANSI Standard C62.41 Location Category A2 (4000V Ring Test) for transient protection
- Meets FCC Part 18 (Class A) for EMI and RFI Non-Consumer Limits
- Anti-striation circuitry

Safety:

- No PCB's
- UL listed (Class P, Type 1 Outdoor, Type HL)
- cULus listed

Application:

- Minimum Starting Temperature: 0° F, -18° C
- with no remote mounting: -20° F, -29° C
- For F32T8ES (30W, 25W) & F28T8: 60° F, 16° C
- Maximum Case Temperature: 194° F, 90° C
- Sound Rated: A
- Remote Mounting: 20 ft. max. lead length, 18 AWG

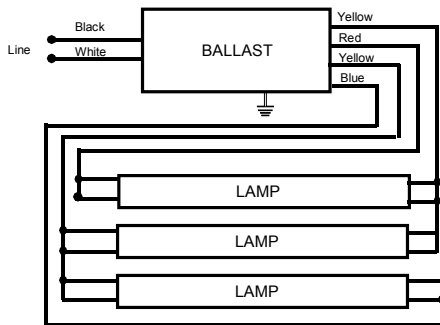
Physical Parameters

- Mounting Length: 16.35" +/- 0.02" (Center to Center)
- Overall Length: 16.88" +/- 0.02"
- Width: 1.74" +/- 0.02"
- Height: 1.18" +/- 0.02"
- Weight: 2.25 lbs.
- Lead Length: White, Black 25" (± 1")
- Red, Blue 48" (± 1")
- Yellow 48" (± 1")

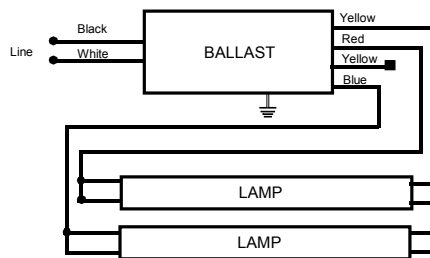
Warranty:

Universal Lighting Technologies warrants to the purchaser that each electronic ballast will be free from defects in material or workmanship for a period of 3 years from date of manufacture when properly installed and under normal conditions of use. Call **1-800-BALLASTx800** for technical assistance.

Manufactured in North America



3 LAMP APPLICATION



2 LAMP APPLICATION
Note: For two lamp application, cap one yellow lead, insulate to 600 volts

Ballast must be grounded in accordance with national and local electrical codes.