

**B332SR120V5**

**APPLICATION and PERFORMANCE SPECIFICATION**

**Description:** High frequency dimming electronic ballast for (3) F32T8 or (3) F31T8/U lamps.

- Line Voltage: 120vac, ±10%, 60Hz
- Series Lamp Operation
- Rapid Start
- Active Power Factor Correction

Ballast Voltage	Lamp		Input Watts	Nominal Line Amps	Power Factor	Ballast Factor	Ballast Efficacy Factor	Total	Crest Factor
	Type	#						Harmonic Distortion	
120	F32T8@100%	3	92	0.77	>.99	.88	0.96	< 10%	<1.5
120	F32T8@5%	3	20	0.17	>.90	.05	0.25	< 10%	<1.6

Application and Performance Specification Information Subject to Change without Notification.

**Performance:**

- Meets ANSI Standard C82.11-1993
- Meets ANSI Standard C62.41-1991
- Meets FCC Part 18 for EMI and RFI Non-Consumer Limits

**Safety:**

- No PCB's
- cULus listed (Class P, Type 1 Outdoor)

**Application:**

- Minimum Starting Temperature: 50° F, 10° C
- Maximum Ambient Temperature: 105° F, 40° C
- Sound Rated: A
- May not be compatible with some "powerline carrier" and/or infrared systems; consult factories
- Dimming Range: Continuous; **100% to 5% light output**
- Remote Mounting Distance: 12 ft.
- **Line voltage protection for control circuit**

**Physical Parameters:**

- Length: 9 1/2"
- Width: 2 3/8"
- Height: 1 5/8"
- Weight: 2.3 lbs.
- Carton Qty: 10
- Lead Length: White, Black 25" (± 1")  
Red, Blue 36" (± 1")  
Red/White, Yellow 36" (± 1")  
Gray, Violet 33" (± 1")

**Warranty:**

Universal Lighting Technologies warrants to the purchaser that each electronic ballast will be free from defects in material or workmanship for a period of 5 years from date of manufacture when properly installed and under normal conditions of use. Call **1-800-BALLASTx800** for technical assistance.

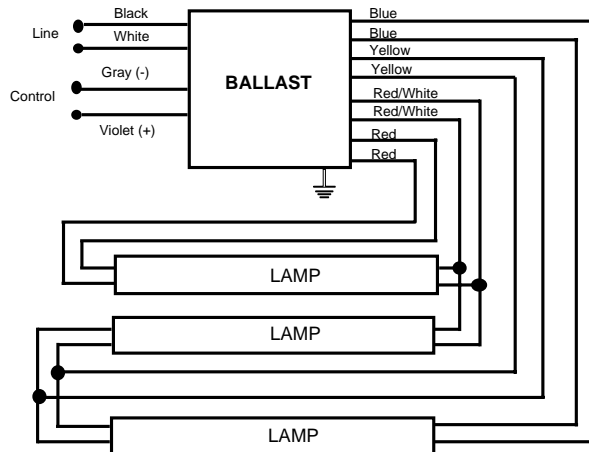
**DIMMING CONTROL SPECIFICATIONS:**

- **10 to 0 vDC Voltage Control**
  - 10v = maximum output
  - 0v = minimum output
- **Built-in line voltage protection circuit. Ballast goes to 30% dim if line voltage is applied to control leads**

Manufactured in North America

**Control Wiring**

- Use Violet (+) & Gray (-) for connection to 0 to 10 vDC. Ballast protected if line voltage is applied.



**Ballast Case Must be Grounded**

Wiring Violet & Gray together equals 5% light output. Capping violet & gray separately equals 100%.