



APPLICATION and PERFORMANCE SPECIFICATION

- Energy saving high efficiency instant start electronic ballast (> 90%)
- Multi-voltage technology handles voltage from 120 to 277v
- UL Type CC Rating provides protection against arcing in electrical devices
- Anti-Striation Control for better light quality, with no striations
- Active Power Factor Correction - Ballast regulates the output to each lamp with individual lamp inverter modules



GENERAL CHARACTERISTICS

| | |
|-------------------------------|--|
| Application | 3 or 2 F32T8 120 to 277v 1.18BF |
| Ballast Type | Electronic – High Efficiency Multivolt Instant Start |
| Starting Method | Instant Start |
| Lamp Wiring | Parallel |
| Line Voltage Regulation (+/-) | 10% |
| Ambient Temp . (Max) | 105°F 41°C |
| Case Temp (Max) | 167°F 75°C |
| Ballast Factor | High (1.18) |
| Sound Rating | A |
| Supply Current Frequency | 50 Hz/60 Hz |

DIMENSIONS

| | |
|----------------------------------|--------------|
| Case Dimensions | |
| Length (L) | 9.5 in |
| Width (W) | 1.3 in |
| Height (H) | 1.0 in |
| Lead Lengths | |
| White/Black | 25 in |
| Red/Blue | 31 in |
| Weight | 1.1 lbs. |
| Exit Type | Side |
| Remote Mounting Distance to lamp | 18 ft. |
| Remote Mounting Wire Gauge | 18 AWG |
| Case Quantity | 10 |
| UPC | 762148078807 |

| Lamp Type | Line Volt. | Num. of Lamps | Rated Lamp Watts | Min. Start Temp. (°F/°C) | Input Current (Amps) | Input Power (Watts) | MAX. THD% | Power Factor | Ballast Factor | MAX. Lamp Current Crest Factor | B.E.F. |
|-----------|------------|---------------|------------------|--------------------------|----------------------|---------------------|-----------|--------------|----------------|--------------------------------|--------|
| *F32T8 | 120 | 3 | 32 | 0/-18 | 0.91 | 109 | 10 | 0.98 | 1.18 | 1.7 | 1.08 |
| F28T8 | 120 | 3 | 28 | 0/-18 | 0.83 | 95 | 10 | 0.98 | 1.18 | 1.7 | 1.24 |
| F25T8 | 120 | 3 | 25 | 0/-18 | 0.69 | 83 | 10 | 0.98 | 1.16 | 1.7 | 1.40 |
| F17T8 | 120 | 3 | 15 | 0/-18 | 0.49 | 60 | 10 | 0.98 | 1.19 | 1.7 | 1.98 |
| F32T8 | 120 | 2 | 32 | 0/-18 | 0.69 | 83 | 10 | 0.98 | 1.27 | 1.7 | 1.53 |
| F28T8 | 120 | 2 | 28 | 0/-18 | 0.65 | 73 | 10 | 0.98 | 1.27 | 1.7 | 1.74 |
| F25T8 | 120 | 2 | 25 | 0/-18 | 0.55 | 66 | 10 | 0.98 | 1.28 | 1.7 | 1.94 |
| *F32T8 | 277 | 3 | 32 | 0/-18 | 0.39 | 107 | 10 | 0.98 | 1.18 | 1.7 | 1.10 |
| F28T8 | 277 | 3 | 28 | 0/-18 | 0.35 | 94 | 10 | 0.98 | 1.18 | 1.7 | 1.26 |
| F25T8 | 277 | 3 | 25 | 0/-18 | 0.30 | 81 | 10 | 0.98 | 1.16 | 1.7 | 1.43 |
| F17T8 | 277 | 3 | 17 | 0/-18 | 0.22 | 58 | 10 | 0.98 | 1.19 | 1.7 | 2.05 |
| F32T8 | 277 | 2 | 32 | 0/-18 | 0.30 | 81 | 10 | 0.98 | 1.27 | 1.7 | 1.57 |
| F28T8 | 277 | 2 | 28 | 0/-18 | 0.28 | 72 | 10 | 0.98 | 1.27 | 1.7 | 1.76 |
| F25T8 | 277 | 2 | 25 | 0/-18 | 0.25 | 66 | 10 | 0.98 | 1.28 | 1.7 | 1.94 |

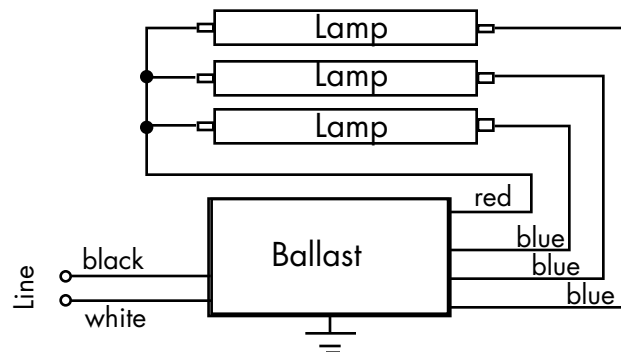
Note: the above data is tested at 60Hz.
 Application and Performance Specification Information Subject to Change without Notification.
 Fully meets UL&cUL safety standards.

PERFORMANCE

- Meets ANSI Standard C82.11-1993
- Meets ANSI Standard C62.41-1991
- Meets FCC 18 Non CONSUMER Limits
- NEMA Premium

SAFETY

- No PCB's
- UL Listed (Class P, Type 1 Outdoor)
- OCV 600V



Note: For two lamps application, cap any blue/red lead. Insulate to 600 volts.