



KTEB-114-1-TP-FC	
Ballast Type	Electronic
Starting Method	Rapid Start
Lamp Connection	Series
Input Voltage	120Vac ± 10%
Input Frequency	60Hz / 50Hz

ELECTRICAL SPECIFICATIONS:

Lamp Type	No. of Lamp	Input Watts	Input Current (Amps)	Power Factor	Crest Factor	Ballast Factor	Ballast Efficacy Factor	Max. THD %
F21T5	1	20.5	0.30	0.57	1.45	0.80	3.90	130
F14T5	1	15.0	0.23	0.54	1.51	0.95	6.33	130
F13T5	1	14.0	0.22	0.53	1.55	0.95	6.79	130
F8T5	2	16.0	0.25	0.53	1.50	0.95	5.94	130
F6T5	2	14.0	0.22	0.53	1.50	1.0	7.14	130
CFQ13W/G24q	1	14.0	0.22	0.53	1.55	0.95	6.79	130
CFTR13W/GX24q	1	14.0	0.22	0.53	1.55	0.95	6.79	130

PERFORMANCE:

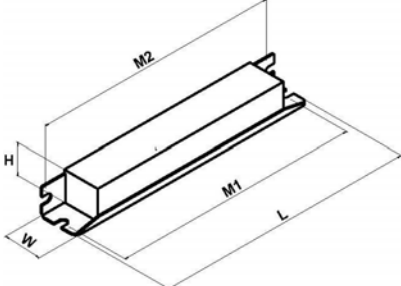
- Sound Rated: A
- Minimum Starting Temperature: 0°F, -18°C
- Maximum Case Temperature: 167°F, 75°C
- Meets FCC Part 18 (Class B) Consumer Limits
- Transient Protection meets ANSI/IEEE C62.41 Cat. A
- Lamp end-of-life protected
- Ballast frequency for all listed lamps: 20KHz-33KHz or > 40KHz
- 3-Year Warranty

APPROVALS:

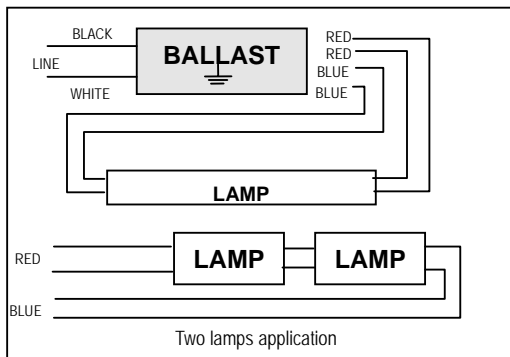
- UL, cUL 935 listed

PHYSICAL DIMENSIONS:

Length (L):	5.90"
Width (W):	0.91"
Height (H):	0.76"
Mounting (M1, M2)	5.60"
Lead Length:	
White, Black	18"
Blue	18"
Red	18"



WIRING DIAGRAM:



Hot Spot Location:

