



## PRODUCT FEATURES

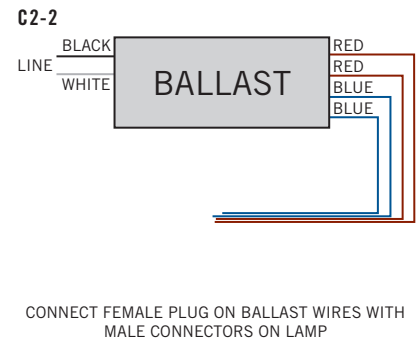
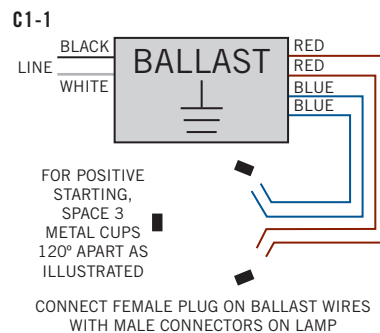
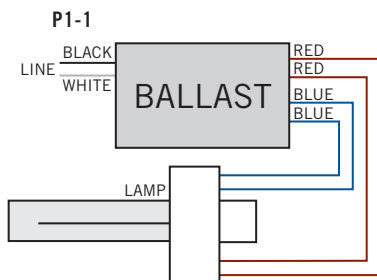
<b>STARTING METHOD:</b> Rapid	<b>INPUT VOLTAGE:</b> 120VAC ±10%	<b>WARRANTY:</b> 3 Years
<b>LAMP CONNECTION:</b> --	<b>INPUT FREQUENCY:</b> 60Hz	<b>POWER FACTOR:</b> Normal

- Sound Rated: A
- Minimum Starting Temperature: 0°F, -18°C
- Maximum Case Temperature: 167°F, 75°C
- Meets FCC Part 18 (Class B) Consumer Limits
- Transient Protection Meets ANSI/IEEE62.41 Cat. A
- Lamp end-of-life protected

## ELECTRICAL SPECIFICATIONS

LAMP TYPE	NO. OF LAMPS	INPUT VOLTS	INPUT WATTS	INPUT CURRENT (AMPS)	POWER FACTOR	CREST FACTOR	BALLAST FACTOR	BALLAST EFFICACY FACTOR	MAX THD%	WIRING DIAGRAM
CFQ/18W/G24q2	1	120	20.0	0.31	0.53	1.49	1.00	5.00	150	P1-1
CFS/21W/GR10q	1	120	18.0	0.29	0.52	1.50	0.85	4.72	150	C1-2
FC8T9 22W	1	120	17.0	0.28	0.52	1.65	0.90	5.29	150	C1-1

## WIRING DIAGRAMS

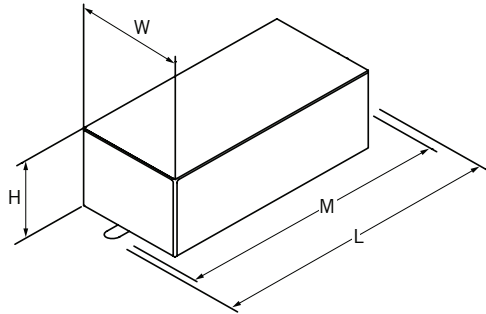




# KTEB-1C22-1-TP-WS

CIRCLINE ELECTRONIC FLUORESCENT

## CASE STYLE/DIMENSIONS



### CASE DIMENSIONS

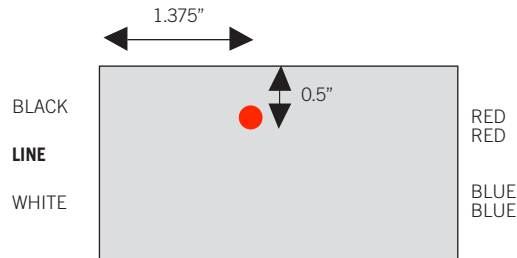
LENGTH: 3.45"
WIDTH: 1.81"
HEIGHT: 1.21"
MOUNTING: 2.88"
UNIT WEIGHT: 0.68 lbs

### STANDARD LEAD LENGTHS\*

BLACK: 12.00"
WHITE: 12.00"
BLUE: 9.00" X 9.00"
RED: 9.00" X 9.00"

\*Consult Keystone for special lead length requirements.

## HOT SPOT LOCATION



## ORDERING INFORMATION

ORDER CODE	PACKAGING STYLE	PACK QTY.	ITEM STATUS
KTEB-1C22-1-TP-WS-CP	Carton	80	Quick Ship

## CATALOG NUMBER BREAKDOWN

# KTEB-1C22-1-TP-WS

