



KTSB-0620-24-1-TP	
Ballast Type	Magnetic
Starting Method	Rapid Start
Lamp Connection	Series
Input Voltage	120Vac +5% -10%
Input Frequency	60Hz

ELECTRICAL SPECIFICATIONS:

Lamp Type	No. of Lamp	Lamp Footage	Input Watts	Input Current (Amps)	Power Factor	Crest Factor	Ballast Factor	Ballast Efficacy Factor	Max. THD %
F36T12/HO	2	6	115	1.41	0.87	2.0	0.87	0.76	45
F60T12/HO	4	20	300	2.56	0.95	1.7	1.06	0.35	15
F72T12/HO	3	18	240	2.34	0.99	1.8	0.96	0.40	15

PERFORMANCE:

- Minimum Starting Temperature: -20°F
- Maximum Ballast Case Temperature: 194°F, 90°C
- OCV: 590V
- 3-Year warranty

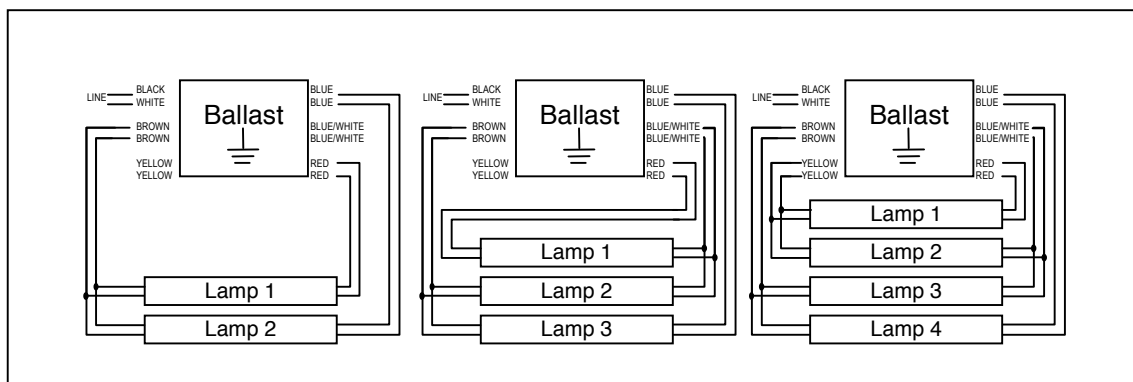
APPROVALS:

- UL & cUL 935 Listed (Class P, Outdoor, Type 2)
- Thermally Protected

PHYSICAL DIMENSIONS:

Length (L):	11.75"
Width (W):	3.19"
Height (H):	2.60"
Mounting (M):	11.0"

WIRING DIAGRAM:



KEYSTONE TECHNOLOGIES LLC.
P.O. Box 246, AMBLER, PENNSYLVANIA 19002
PHONE: 215-283-2600
FAX: 215-628-4412
INFO@KEYSTONEBALLAST.COM
WWW.KEYSTONEBALLAST.COM