



KTSB-1240-46-1-TP	
Ballast Type	Magnetic
Starting Method	Rapid Start
Lamp Connection	Series
Input Voltage	120Vac +5% -10%
Input Frequency	60Hz

ELECTRICAL SPECIFICATIONS:

Lamp Type	No. of Lamp	Lamp Footage	Input Watts	Input Current (Amps)	Power Factor	Crest Factor	Ballast Factor	Ballast Efficacy Factor	Max. THD %
(2)F96T12/HO + (4)F72T12/HO	6	40	415	3.9	0.98	1.6	0.78	0.19	15
F36T12/HO	4	12	183	2.4	0.65	1.9	0.75	0.41	35
F48T12/HO	5	20	252	2.7	0.82	1.8	0.78	0.31	20
F72T12/HO	5	30	350	3.2	0.95	1.7	0.77	0.22	10

PERFORMANCE:

- Minimum Starting Temperature: -20°F
- Maximum Ballast Case Temperature: 194°F, 90°C
- OCV: 800V
- 3-Year warranty

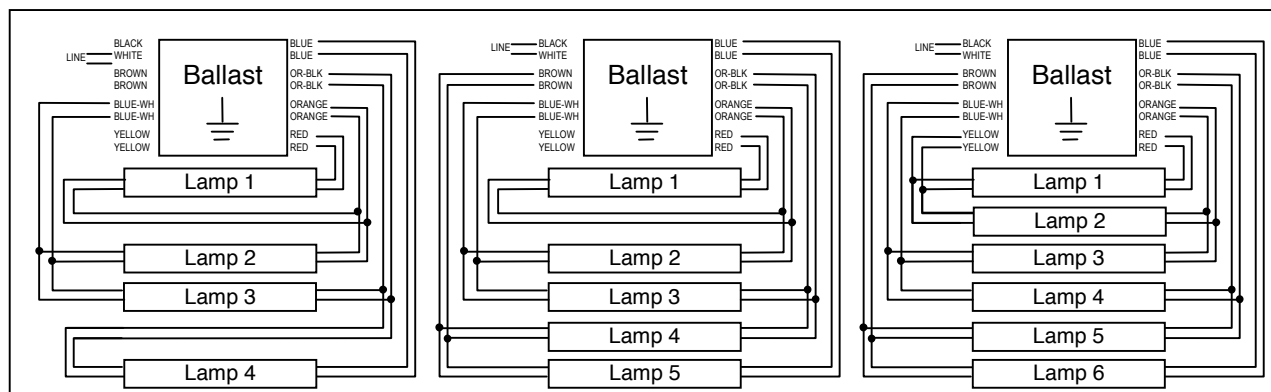
APPROVALS:

- UL & cUL 935 Listed (Class P, Outdoor, Type 2)
- Thermally Protected

PHYSICAL DIMENSIONS:

Length (L):	19.19"
Width (W):	3.19"
Height (H):	2.69"
Mounting (M)	18.63"

WIRING DIAGRAM:



KEYSTONE TECHNOLOGIES LLC.
P.O. Box 246, AMBLER, PENNSYLVANIA 19002
PHONE: 215-283-2600
FAX: 215-628-4412
INFO@KEYSTONEBALLAST.COM
WWW.KEYSTONEBALLAST.COM