



| KTSB-E-0216-12-UV | |
|--------------------------|--------------------|
| Ballast Type | Electronic |
| Starting Method | Instant Start |
| Lamp Connection | Parallel |
| Input Voltage | 120 ~ 277Vac ± 10% |
| Input Frequency | 60Hz / 50Hz |

Electronic Sign Ballast for 2, and 1 T12HO lamps up to 8ft long or any combination thereof from 2-16 ft.

Electronic Sign Ballast for 2, and 1 T8HO lamps up to 6ft long or any combination thereof from 4-12 ft.

ELECTRICAL SPECIFICATIONS:

| Lamp | | Lamp Footage | | Volts | Input Watts | Input Current (Amps) | Power Factor | Crest Factor | Max. THD % |
|-------------------|-----|--------------|-----|-------|-------------|----------------------|--------------|--------------|------------|
| Type | # | Min | Max | | | | | | |
| T12HO (F96T12/HO) | 2,1 | 2 | 16 | 120 | 131 | 1.20 | >0.90 | <1.7 | 10 |
| T12HO (F96T12/HO) | 2,1 | 2 | 16 | 277 | 132 | 0.50 | >0.90 | <1.7 | 10 |
| T8HO (F72T8/HO) | 2,1 | 4 | 12 | 120 | 122 | 1.10 | >0.90 | <1.7 | 10 |
| T8HO (F72T8/HO) | 2,1 | 4 | 12 | 277 | 121 | 0.45 | >0.90 | <1.7 | 10 |

PERFORMANCE:

- Sound Rated: A
- Minimum Starting Temperature: -20°F, -29°C
- Maximum Case Temperature: 194°F, 90°C
- Meets FCC Part 18 (Class A) Non Consumer Limits

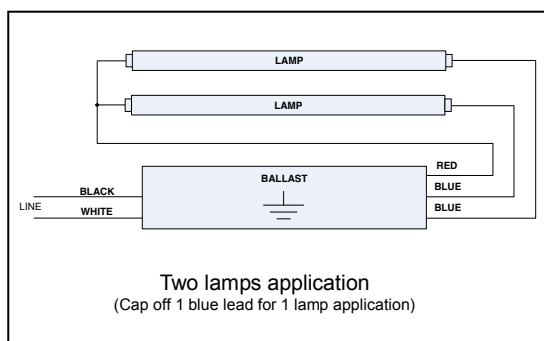
APPROVALS:

- UL, cUL 935 Listed

PHYSICAL DIMENSIONS:

| | |
|---------------|-------|
| Length (L): | 9.50" |
| Width (W): | 2.36" |
| Height (H): | 1.70" |
| Mounting (M): | 8.90" |
| Lead Length: | |
| White, Black | 24" |
| Blue, Red | 96" |

WIRING DIAGRAM:



Hot Spot Location:

