

### DESCRIPTION

Electronic Sign Ballast for 3 or 2 T12HO lamp up to 24 feet long or any combination from 8-24 feet.

Electronic Sign Ballast for 3 or 2 T8HO lamp up to 18 feet long or any combination from 8-18 feet.

<b>STARTING METHOD:</b> Rapid Start	<b>INPUT VOLTAGE:</b> 120VAC ±10%
<b>LAMP CONNECTION:</b> Parallel	<b>INPUT FREQUENCY:</b> 60 Hz

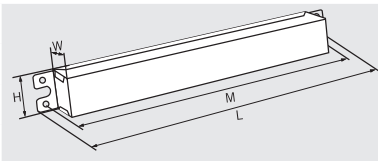
### PRODUCT FEATURES

- Sound Rated: A
- Minimum Starting Temperature: -20°F, -29°C
- Maximum Case Temperature: 167°F, 75°C
- Meets FCC Part 18 (Class A) Non-Consumer Limits
- UL Pending

### ELECTRICAL SPECIFICATIONS

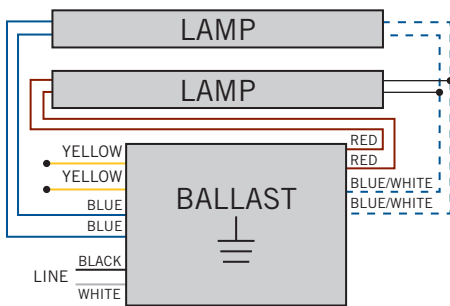
Lamp Type	No. of Lamps	Input Volts	Input Watts	Input Current (Amps)	Power Factor	Crest Factor
F96T12/HO, 110W	3	120	265	2.20	>0.90	<1.70
F96T12/HO, 110W	2	120	192	1.65	>0.90	<1.70
F120T12/HO, 135W	2	120	233	2.00	>0.90	<1.70
F96T8/HO, 86W	2	120	221	1.90	>0.90	<1.70
F72T8/HO, 65W	3	120	250	2.15	>0.90	<1.70
F72T8/HO, 65W	2	120	186	1.60	>0.90	<1.70

### CASE DIMENSIONS

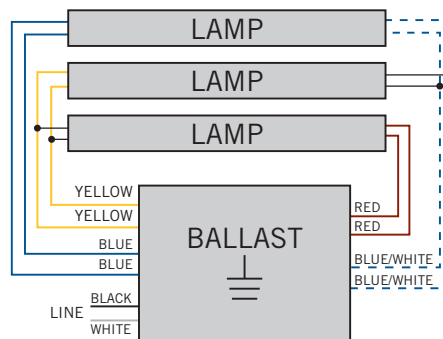


<b>LENGTH</b>	11.77"
<b>WIDTH</b>	2.15"
<b>HEIGHT</b>	1.62"
<b>MOUNTING</b>	11.21"

### WIRING DIAGRAMS



Two Lamp Application, Cap Off  
Unused Leads Individually



Three Lamp Application, Cap Off  
Unused Leads Individually