

DESCRIPTION

Electronic Sign Ballast consists of two lamp groups - Group I and Group II. Group I consists of lamps 1, 2 and Group II consists of lamp 3, 4.

Each lamp group for 2 and 1 T12HO lamps up to 16 feet long or any combination thereof from 4-16 feet.

Each lamp group for 2 and 1 T8HO lamps up to 12 feet long or any combination thereof from 4-12 feet.

STARTING METHOD: Rapid Start	INPUT VOLTAGE: 120VAC ±10%
LAMP CONNECTION: Parallel	INPUT FREQUENCY: 60 Hz

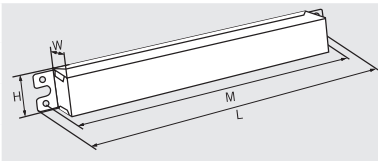
PRODUCT FEATURES

- Sound Rated: A
- Minimum Starting Temperature: -20°F, -29°C
- Maximum Case Temperature: 167°F, 75°C
- Meets FCC Part 18 (Class A) Non-Consumer Limits
- UL Pending

ELECTRICAL SPECIFICATIONS

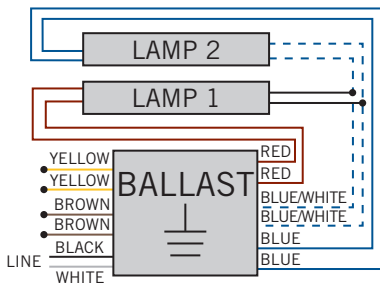
Lamp Type	No. of Lamps	Input Volts	Input Watts	Input Current (Amps)	Power Factor	Crest Factor
F96T12/HO, 110W	4	120	341	2.90	>0.90	<1.70
F96T12/HO, 110W	3	120	271	2.30	>0.90	<1.70
F96T12/HO, 110W	2	120	206	1.75	>0.90	<1.70
F120T12/HO, 135W	2	120	271	2.30	>0.90	<1.70
F96T8/HO, 86W	2	120	259	2.20	>0.90	<1.70
F72T8/HO, 65W	4	120	300	2.55	>0.90	<1.70

CASE DIMENSIONS

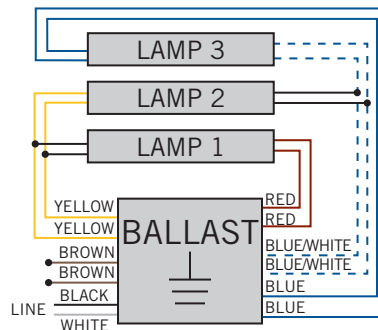


LENGTH	14.44"
WIDTH	3.20"
HEIGHT	2.73"
MOUNTING	13.81"

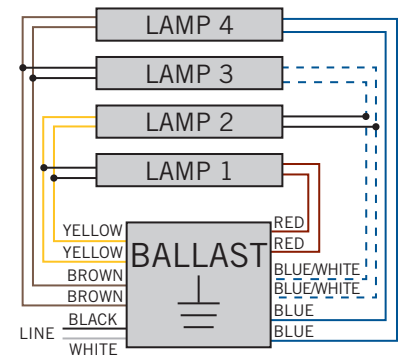
WIRING DIAGRAMS



Two Lamp Application, Cap Off
Unused Leads Individually



Three Lamp Application, Cap Off
Unused Leads Individually



Four Lamp Application