

# QUICKTRONIC® MH Electronic Metal Halide Systems

## Professional Series

### Lamp / Ballast Guide

QTP 1x20MH/UNV  
QTP 2x20MH/UNV  
QTP 1x20MH/SQ UNV  
QT 1x20MH/SLIM 120V  
M156\*; C156

QTP 1x39MH/UNV  
QTP 2x39MH/UNV  
QTP 1x39MH/SQ UNV  
QT 1x39MH/SLIM 120V  
M130\*; C130

QTP 1x50MH/SQ UNV  
M110

QTP 1x70MH/UNV  
QTP 1x70MH/SQ UNV  
QT 1x70MH/SLIM 120V  
M139\*/M98: C139/C98

QTP 1x100MH/UNV  
M90/M140\*; C90

QT 1x150MH/UNV  
M102/M142\*; C102/C142

\*earlier reference obsolete

SYLVANIA QUICKTRONIC MH HID ballasts feature a state of the art electronic design to deliver performance levels unattainable with standard magnetic lighting systems.

Small and efficient, QUICKTRONIC MH operates silently and provides energy savings up to 15% compared to magnetic ballasts.

New smaller sizes allow for more flexible fixture designs and applications while maintaining the features and system advantages of the standard size ballast. *The Mini Slim and Mini Square are 50% smaller than the standard sized can.* Installation is simplified by our single-piece ballasts that incorporate the ballast, capacitor, ignitor and mounting brackets of conventional systems. Two lightweight mounting styles allow for easy assembly in any fixture application.



Setting the standard for quality, QUICKTRONIC MH is also covered by our QUICK 60+® warranty, the first and most comprehensive system warranty in the industry.

### System Information

SYLVANIA QUICKTRONIC MH ballasts and SYLVANIA METALARC® POWERBALL® CERAMIC lamps are perfectly matched to provide optimal system performance.

Our electronically controlled system delivers several advantages over conventional components, including improved lumen maintenance and extended photometric life.

The superior power regulation design produces consistently brilliant light output and color throughout the life of the lamp. This circuitry also provides constant light output during periods of fluctuating supply voltage.

Sensing technology shuts down lamp power when an inoperative or malfunctioning lamp is present.



### Key System Features

- Constant power regulation
- Universal input voltage
- High power factor
- Low harmonic distortion
- Small size and lightweight
- 80°C case temperature
- UL, FCC
- QUICK 60+® warranty

### Application Information

#### SYLVANIA QUICKTRONIC MH

is ideally suited for:

- Track lighting
- Downlighting
- Landscape lighting
- Retail
- Hospitality
- Institutional
- Commercial

### Enclosure Styles

F = Feet Mount for track light fixtures  
(All leads exit side of ballast, as shown on next page.)

J = J-Box Mount with PEM studs for recessed downlight fixtures  
(All leads exit middle/bottom of ballast, as shown on next page.)

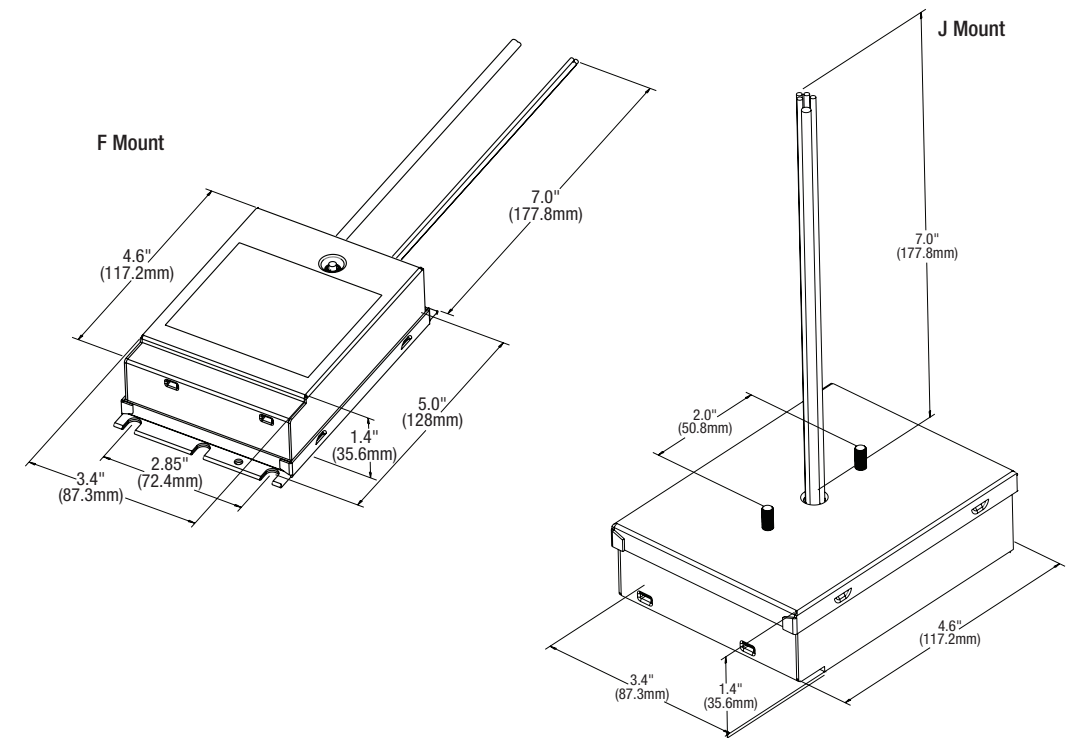
**SPECIFICATION DATA**

Catalog #	Date	Type
Project	Prepared by	
Comments		

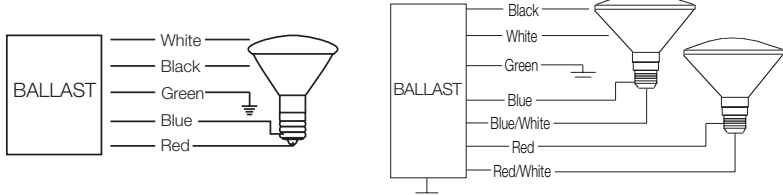
**Electronic Metal Halide Systems Universal Voltage (120-277V)**

Item Number	OSRAM SYLVANIA Description	Input Voltage (VAC)	Input Current (AMPS)	Lamp Type <sup>1</sup>	Rated Lumens (lm)	No. of Lamps	Ballast Factor (BF)	System Lumens	Input Wattage (W)	System Efficacy (lm/W)
51908 51909	QTP1x20MH/UNV-F QTP1x20MH/UNV-J	120-277	0.21/0.085	20W T4.5	1700	1	1.0	1700	23	74
51968 51969	QTP2X20MH UNV F QTP2X20MH UNV J									
51910 51911	QTP1x39MH/UNV-F QTP1x39MH/UNV-J	120-277	0.39/0.17	39W T6	3400	1	1.0	3400	44	77
51970 51971	QTP2X39MH UNV F QTP2X39MH UNV J									
51912 51913	QTP1x70MH/UNV-F QTP1x70MH/UNV-J	120-277	0.67/0.29	70W T6	7000	1	1.0	7000	79	89
51914 51915	QTP1x100MH/UNV-F QTP1x100MH/UNV-J									

<sup>1</sup>: Data based on ceramic lamp types except where noted.



**Packaging:**  
Quantity: 10 pieces per carton  
Weight: 6 lbs. per carton  
(0.6 lbs each)



Item Number: 51910 QTP 1 x 39 MH / UNV F  
 QUICKTRONIC PROFESSIONAL  
 Number of Lamps (1)  
 Case Type (Mounting Style)  
 Line Voltage (120-277V)  
 Metal Halide  
 Primary Lamp Wattage

**MH QUICKTRONIC®**

**Professional Series**

**Performance Guide**

Ballast shall be a metal halide SYLVANIA QUICKTRONIC MH electronic ballast with universal input voltage.

**Specifications**

**Voltage Range:** ±10% of 120-277V rated line (108-305V)  
**Input Frequency:** 50/60 Hz  
**Power Factor:** >98%  
**Low THD:** <10%  
**Starting Temp:** -22°F/-30°C min.  
**Lamp Frequency:** 165Hz Square Wave

UL Listed, Type 1, Outdoor  
 Suitable for recessed use  
 80°C Max. Case Temperature,  
 Thermally Protected  
 FCC 47CFR Part 18 Non-Consumer  
 Sound Rated A  
 ANSI C62.41 Cat. A Transient Protection  
 Remote Mounting capability<sup>3</sup>  
 Lamp current crest factor: <1.2

<sup>3</sup> Remote Mounting (Max. wire length from ballast case to lampholder): Typically 6 ft but varies by application, remote capability up to 15 ft. Contact OSRAM SYLVANIA for details.

**Installation Notes**

Use minimum 4kV pulse rated lamp holder.  
 Use minimum 4kV pulse rated or UL style 3561 wire for lamp connections.  
 Red lead must be connected to center terminal of lamp. Do not connect any lamp lead to neutral or ground.

**System Life / Warranty**

QUICKTRONIC products are covered by our QUICK 60+® warranty, a comprehensive lamp and ballast system warranty. For additional details, refer to our QUICK 60+ warranty bulletin.

Max. Case Temp.	Warranty Period
<75°C	5 years
<80°C	3 years

**OSRAM SYLVANIA**  
**National Customer Service and Sales Center**  
 1-800-LIGHTBULB  
 (1-800-544-4828)  
 www.sylvania.com

the system solution®

**SPECIFICATION DATA**

Catalog #	Date	Type
Project	Prepared by	
Comments		

**MH QUICKTRONIC®**

**Professional Series**

**Performance Guide**

Ballast shall be a metal halide SYLVANIA QUICKTRONIC MH electronic ballast.

**Specifications**

**Input Voltage Range:** ±10% of rated input  
**Input Frequency:** 50/60 Hz  
**Power Factor:** >98%  
**Low THD:** QTP: <10%  
 QT: <20%  
**Starting Temp:** -22°F/-30°C min.  
**Lamp Frequency:** 165-170Hz Square Wave

UL Listed, Type 1, Outdoor  
 Suitable for recessed use  
 20&39W: 85°C Max. Case Temp.  
 70W: 90°C Max. Case Temp.  
 Thermally Protected  
 FCC 47CFR Part 18 Non-Consumer  
 Sound Rated A  
 ANSI C62.41 Cat. A Transient Protection  
 Remote Mounting capability<sup>3</sup>  
 Lamp current crest factor: <1.2  
 All Slim ballasts have a plastic can.  
 All others are metal.

<sup>3</sup> Remote Mounting (Max. wire length from ballast case to lampholder): Typically 6 ft but varies by application, remote capability up to 15 ft. Contact OSRAM SYLVANIA for details.

**Installation Notes**

Use minimum 4kV pulse rated lamp holder.  
 Use minimum 4kV pulse rated or UL style 3561 wire for lamp connections.  
 Red lead must be connected to center terminal of lamp. Do not connect any lamp lead to neutral or ground.

**System Life / Warranty**

QUICKTRONIC products are covered by our QUICK 60+® warranty, a comprehensive lamp and ballast system warranty. For additional details, refer to our QUICK 60+ warranty bulletin.

Max. Case Temp.	Warranty Period
70W: <90°C	3 years
<80°C	5 years
20, 39 & 50W: <85°C	3 years
<75°C	5 years

**OSRAM SYLVANIA**  
**National Customer**  
**Service and Sales Center**  
 1-800-LIGHTBULB  
 (1-800-544-4828)  
 www.sylvania.com

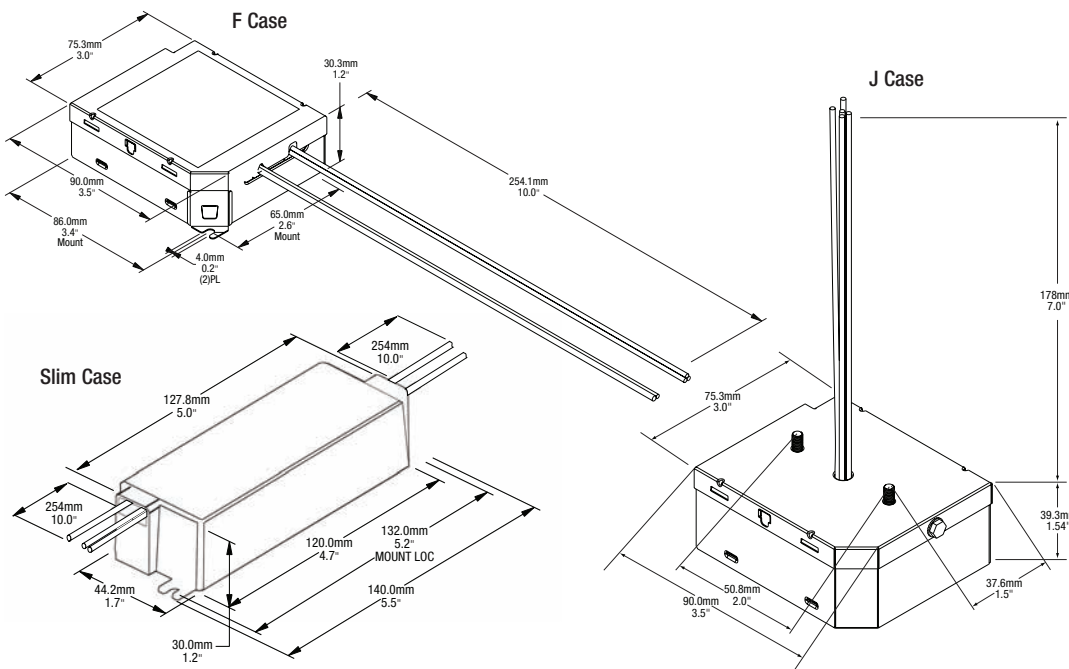
**Electronic Metal Halide Systems Mini Sized**

Item Number	OSRAM SYLVANIA Description	Input Voltage (VAC)	Input Current (AMPS)	Lamp Type <sup>1</sup>	Rated Lumens (lm)	No. of Lamps	Ballast Factor (BF)	System Lumens	Input Wattage (W)	System Efficacy (lm/W)
51958 ☆	QT1x20MH 120V SLIM	120	0.20	20W T4.5	1700	1	1.0	1700	23	74
51959 ☆	QTP1x20MH UNV SQ F <i>Formerly: QT1x20MH UNV SQ</i>	120-277	0.19/0.09	20W T4.5	1700	1	1.0	1700	23	74
51956 ☆	QTP1x20MH UNV SQ J	120-277	0.19/0.09	20W T4.5	1700	1	1.0	1700	23	74
51960 ☆	QT1x39MH 120V SLIM	120	0.38	39W T6	3400	1	1.0	3400	44	77
51961 ☆	QTP1x39MH UNV SQ F <i>Formerly: QT1x39MH UNV SQ</i>	120-277	0.38/0.17	39W T6	3400	1	1.0	3400	44	77
51957 ☆	QTP1x39MH UNV SQ J	120-277	0.38/0.17	39W T6	3400	1	1.0	3400	44	77
51966 ☆	QTP1x50MH UNV SQ F	120-277	0.48/0.21	50W E17	4100	1	1.0	4100	56	73
51967 ☆	QTP1x50MH UNV SQ J	120-277	0.48/0.21	50W E17	4100	1	1.0	4100	56	73
51962 ☆	QT1x70MH 120V SLIM	120	0.64	70W T6	7000	1	1.0	7000	79	89
51963 ☆	QTP1x70MH UNV SQ F <i>Formerly: QT1x70MH 120V SQ</i>	120-277	0.66/0.29	70W T6	7000	1	1.0	7000	79	89
51964 ☆	QTP1x70MH UNV SQ J	120-277	0.65/0.27	70W T6	7000	1	1.0	7000	79	89

<sup>1</sup>: Data based on ceramic lamp types except where noted.

☆ New Product. Contact OSRAM SYLVANIA for product availability.

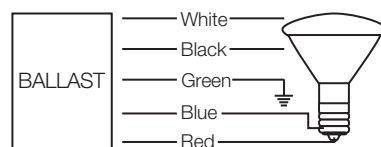
☆ Preliminary Data. Check with OSRAM SYLVANIA for detailed specifications.



**Packaging:**

Quantity: 40 pieces per carton  
 Weight: 36 lbs. per carton  
 (0.9 lbs each)

**Wiring Diagrams**



Item Number ————— **51961 QTP 1 x 39 MH / UNV SQ F** ————— Case Type (Mounting Style)  
 QUICKTRONIC PROFESSIONAL ————— Case Type  
 Number of Lamps (1) ————— Line Voltage (120-277V)  
 Primary Lamp Wattage ————— Metal Halide

**eHID**

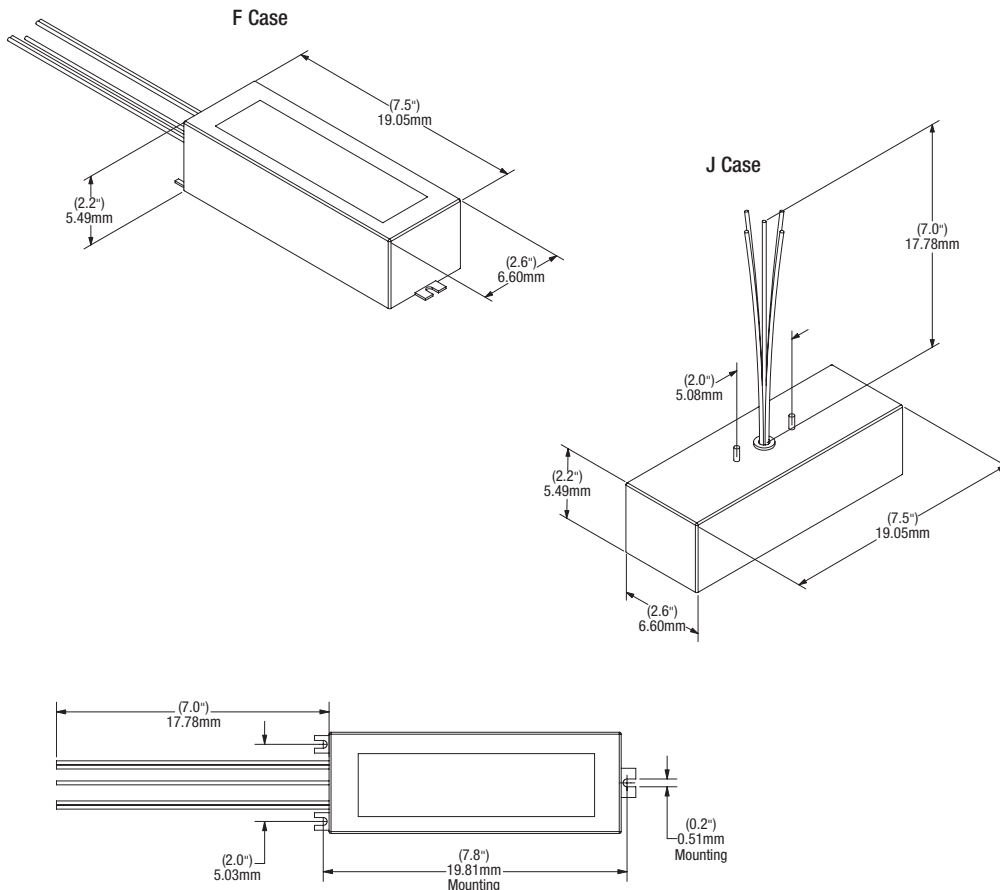
**SPECIFICATION DATA**

Catalog #	Date	Type
Project	Prepared by	
Comments		

**Electronic Metal Halide Systems Universal Voltage (120-277V)**

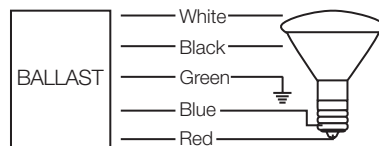
Item Number	OSRAM SYLVANIA Description	Input Voltage (VAC)	Input Current (AMPS)	Lamp Type <sup>1</sup>	Rated Lumens (lm)	No. of Lamps	Ballast Factor (BF)	System Lumens	Input Wattage (W)	System Efficacy (lm/W)
51930	QT1x150MH/UNV F	120-277	1.40/0.60	150W T7.5	15500	1	1.0	15500	167	93
51931	QT1x150MH/UNV J	120-277	1.40/0.60	150W T7.5	15500	1	1.0	15500	167	93

<sup>1</sup>: Data based on ceramic lamp types except where noted.



**Packaging:**  
 Quantity: 20 pieces per carton  
 Weight: 45.5 lbs. per carton  
 (2.275 lbs each)

**Wiring Diagrams**



Item Number \_\_\_\_\_ **51930 QT 1** x **150 MH / UNV F** \_\_\_\_\_ Case Type (Mounting Style)  
 QUICKTRONIC \_\_\_\_\_ Line Voltage (120-277V)  
 Number of Lamps (1) \_\_\_\_\_ Metal Halide  
 \_\_\_\_\_ Primary Lamp Wattage

**MH QUICKTRONIC®**

**Professional Series**

**Performance Guide**

Ballast shall be a metal halide SYLVANIA QUICKTRONIC MH electronic ballast with universal input voltage.

**Specifications**

**Input Voltage:** 108-305V  
**Input Frequency:** 50/60 Hz  
**Power Factor:** >98%  
**Low THD:** <15%  
**Starting Temp:** -22°F/-30°C min.  
**Lamp Frequency:** 170Hz Square Wave

UL Listed, Type 1, Outdoor  
 Suitable for recessed use  
 75°C Max. Case Temperature,  
 Thermally Protected  
 FCC 47CFR Part 18 Non-Consumer  
 Sound Rated A  
 ANSI C62.41 Cat. A Transient Protection  
 Remote Mounting capability<sup>3</sup>  
 Lamp current crest factor: <1.4

<sup>3</sup> Remote Mounting (Max. wire length from ballast case to lampholder): Typically 6 ft but varies by application, remote capability up to 15 ft. Contact OSRAM SYLVANIA for details.

**Installation Notes**

Use minimum 4kV pulse rated lamp holder.  
 Use minimum 4kV pulse rated or UL style 3561 wire for lamp connections. Red lead must be connected to center terminal of lamp. Do not connect any lamp lead to neutral or ground.

**System Life / Warranty**

QUICKTRONIC products are covered by our QUICK 60+® warranty, a comprehensive lamp and ballast system warranty. For additional details, refer to our QUICK 60+ warranty bulletin.

Max. Case Temp.	Warranty Period
<70°C	5 years
<75°C	3 years

**OSRAM SYLVANIA**  
**National Customer Service and Sales Center**  
 1-800-LIGHTBULB  
 (1-800-544-4828)  
 www.sylvania.com

the system solution®

**GHID**