

S1000ML5AC5M

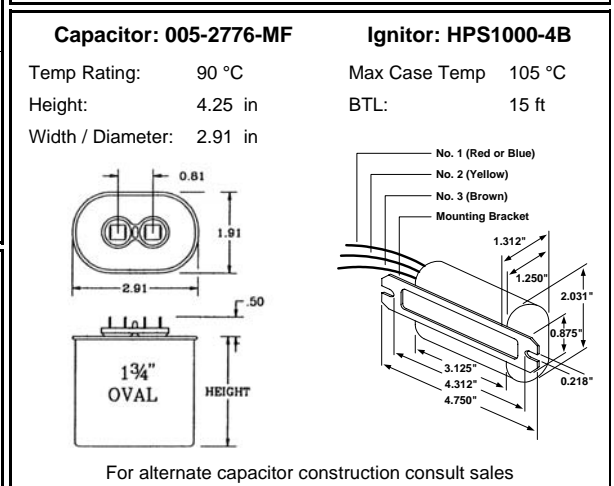
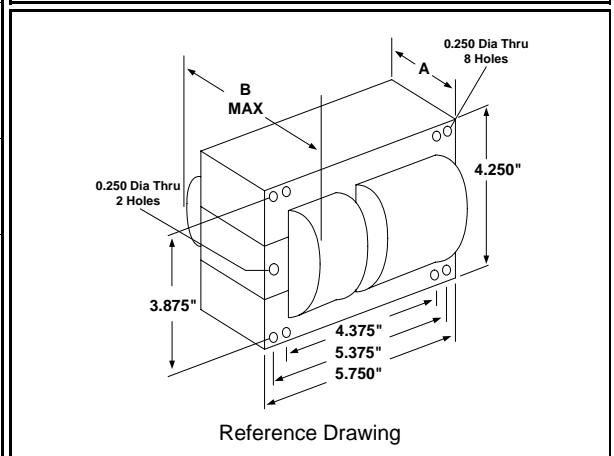
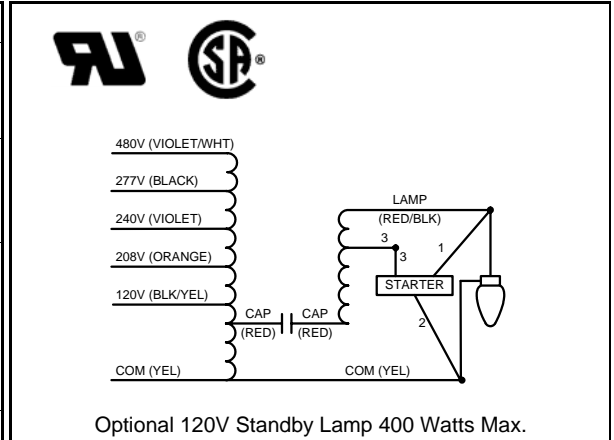
1000W S52

High Pressure Sodium

60Hz CWA

Specification Sheet

Input Volts	120	208	240	277	480
Regulation					
Line Volts	±10%	±10%	±10%	±10%	±10%
Lamp Watts	±10%	±10%	±10%	±10%	±10%
Power Factor (min)	90%	90%	90%	90%	90%
Input Watts	1100 W	1100 W	1100 W	1100 W	1100 W
NOM. Open Circuit Voltage	440 V	440 V	440 V	440 V	440 V
Line Current (Amps)					
Operating	9.45	5.45	4.75	4.10	2.35
Open Circuit	4.85	2.80	2.40	2.10	1.20
Starting	6.90	4.00	3.45	3.00	1.75
Recommended Fuse (Amps)	20	15	10	10	8
Lamp Dropout Voltage (Line)	90 V	160 V	185 V	210 V	350 V
UL Temperature Ratings					
Insulation Class	H (180°C)	H (180°C)	H (180°C)	H (180°C)	H (180°C)
Temperature Code	D	D	D	D	D
MIN. Starting Temperature	-40°F -40°C	-40°F -40°C	-40°F -40°C	-40°F -40°C	-40°F -40°C
CAPACITOR Specifications					
Microfarads	26 uf	26 uf	26 uf	26 uf	26 uf
Volts (min.)	525 V	525 V	525 V	525 V	525 V
60Hz Test Procedures					
High Potential Test 1 Minute	2000 V	2000 V	2000 V	2000 V	2000 V
High Potential Test 1 Second	2500 V	2500 V	2500 V	2500 V	2500 V
Secondary Open Ckt Voltage (V)	395 - 485	395 - 485	395 - 485	395 - 485	395 - 485
Secondary Current Shorted (A)	6.30 - 7.80	6.30 - 7.80	6.30 - 7.80	6.30 - 7.80	6.30 - 7.80
Input Operating Current (A)	8.45 - 10.40	4.90 - 6.00	4.25 - 5.25	3.65 - 4.50	2.10 - 2.60
Input Open Circuit Current (A)	2.40 - 7.05	1.35 - 4.05	1.20 - 3.55	1.00 - 3.05	0.60 - 1.80
Input Short Circuit Current (A)	5.00 - 7.60	2.90 - 4.40	2.50 - 3.80	2.20 - 3.35	1.25 - 1.90
Core and Coil Specifications					
Dimension A	3.75 in	3.75 in	3.75 in	3.75 in	3.75 in
Dimension B	5.55 in	5.55 in	5.55 in	5.55 in	5.55 in
Weight	26.0 lbs	26.0 lbs	26.0 lbs	26.0 lbs	26.0 lbs
Lead Lengths (inches)	12-14	12-14	12-14	12-14	12-14
Coil Material (Pri. / Sec.):	Cu / Cu	Cu / Cu	Cu / Cu	Cu / Cu	Cu / Cu



Document #:	010-9751-03
Date:	11/17/2008
Status:	Production
Replaces Catalog #:	New Design

Data is based upon tests performed by Universal Lighting Technologies in a controlled environment and is representative of relative performance. Actual performance may vary depending on operating conditions. Specifications are subject to change without notice.

Universal Lighting Technologies

26 Century Blvd. Suite 500 - Nashville, TN 37214

Phone 1-800-225-5278 Fax 1-800-206-0035

www.unvlt.com