

S250ML5AC4M

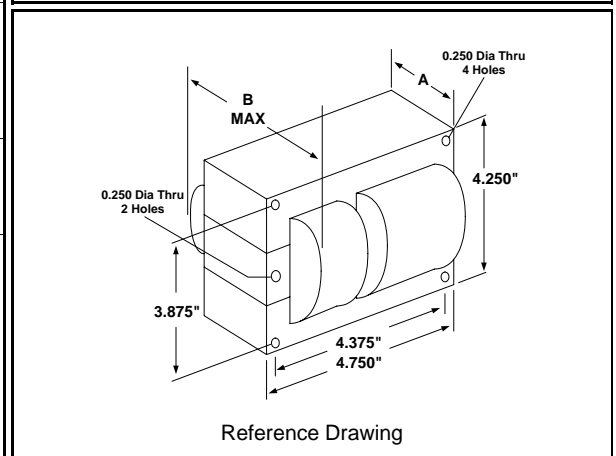
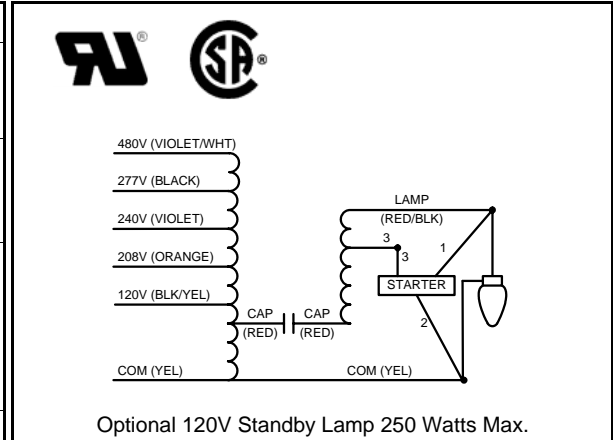
250W S50

High Pressure Sodium

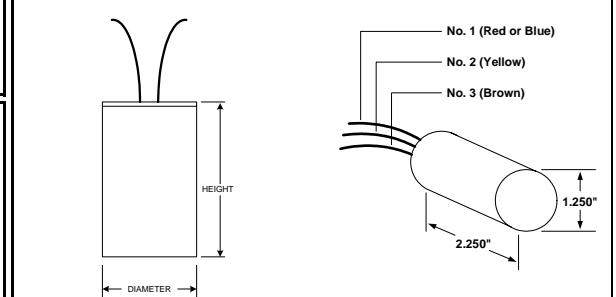
60Hz CWA

Specification Sheet

Input Volts	120	208	240	277	480
Regulation					
Line Volts	±10%	±10%	±10%	±10%	±10%
Lamp Watts	±10%	±10%	±10%	±10%	±10%
Power Factor (min)	90%	90%	90%	90%	90%
Input Watts	295 W	295 W	295 W	295 W	295 W
NOM. Open Circuit Voltage	200 V	200 V	200 V	200 V	200 V
Line Current (Amps)					
Operating	2.50	1.40	1.25	1.10	0.60
Open Circuit	1.80	1.00	0.90	0.75	0.45
Starting	1.40	1.80	0.70	0.60	0.35
Recommended Fuse (Amps)	8	4	4	3	2
Lamp Dropout Voltage (Line)	85 V	150 V	170 V	200 V	345 V
UL Temperature Ratings					
Insulation Class	H (180°C)	H (180°C)	H (180°C)	H (180°C)	H (180°C)
Temperature Code	A	A	A	A	A
MIN. Starting Temperature	-40°F -40°C	-40°F -40°C	-40°F -40°C	-40°F -40°C	-40°F -40°C
CAPACITOR Specifications					
Microfarads	35 uf	35 uf	35 uf	35 uf	35 uf
Volts (min.)	240 V	240 V	240 V	240 V	240 V
60Hz Test Procedures					
High Potential Test 1 Minute	2000 V	2000 V	2000 V	2000 V	2000 V
High Potential Test 1 Second	2500 V	2500 V	2500 V	2500 V	2500 V
Secondary Open Ckt Voltage (V)	180 - 220	180 - 220	180 - 220	180 - 220	180 - 220
Secondary Current Shorted (A)	3.65 - 4.50	3.65 - 4.50	3.65 - 4.50	3.65 - 4.50	3.65 - 4.50
Input Operating Current (A)	2.20 - 2.70	1.25 - 1.60	1.05 - 1.35	0.95 - 1.20	0.55 - 0.70
Input Open Circuit Current (A)	0.85 - 2.55	0.50 - 1.50	0.40 - 1.30	0.35 - 1.15	0.20 - 0.65
Input Short Circuit Current (A)	0.85 - 1.50	0.50 - 0.85	0.40 - 0.75	0.35 - 0.65	0.20 - 0.40
Core and Coil Specifications					
Dimension A	2.00 in	2.00 in	2.00 in	2.00 in	2.00 in
Dimension B	3.80 in	3.80 in	3.80 in	3.80 in	3.80 in
Weight	12 lbs	12 lbs	12 lbs	12 lbs	12 lbs
Lead Lengths (inches)	12-14	12-14	12-14	12-14	12-14
Coil Material (Pri. / Sec.):	Cu / Cu	Cu / Cu	Cu / Cu	Cu / Cu	Cu / Cu



Capacitor: R17058532	Ignitor: HPS400-3A
Max Case Temp: 100 °C	Max Case Temp 105 °C
Height: 4.76 in	BTL: 10 ft
Width / Diameter: 1.85 in	



Oil Cap. - P/N 005-1421-MF Consult Catalog for Specs.

Document #:	010-9760-03
Date:	4/15/2009
Status:	Production
Replaces Catalog #:	New Design

Data is based upon tests performed by Universal Lighting Technologies in a controlled environment and is representative of relative performance. Actual performance may vary depending on operating conditions. Specifications are subject to change without notice.