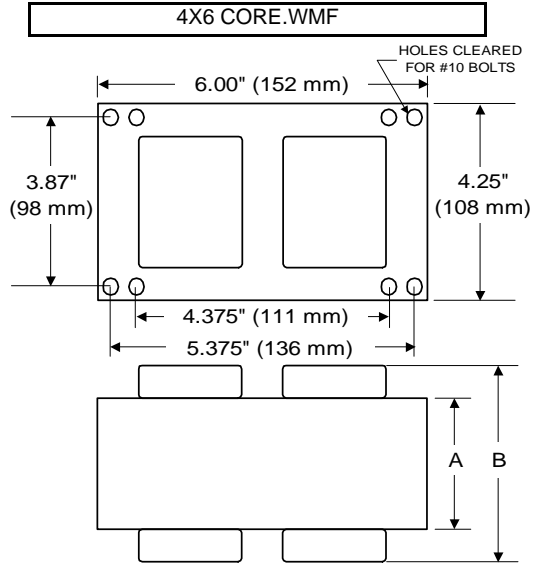




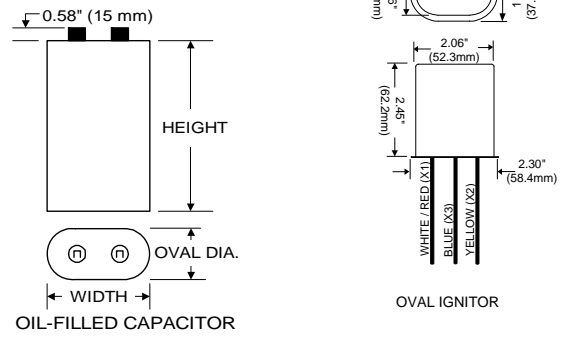
BALLAST SPECIFICATION

775W M181
Pulse Start Metal Halide
V90D9610
60 Hz CWA C&C

Input Volts	120	208	240	277
Line Current (Amps)				
Operating	7.45	4.50	3.75	3.25
Open Circuit	5.60	4.10	3.05	2.60
Starting	5.20	2.85	2.65	2.30
Recommended Fuse (Amps)	20	12	10	9
Regulation				
Line Volts	±10%	±10%	±10%	±10%
Lamp Watts	±10%	±10%	±10%	±10%
Temperature Ratings				
Insulation Class	180 (H)	180 (H)	180 (H)	180 (H)
Coil Temperature Code	B	D	B	C
Benchtop Coil Rise	80.0	85.0	79.1	80.9
Power Factor (%) HPF	90	90	90	90
Input Watts	845 W	845 W	845 W	845 W
Efficiency	91.3%	91.3%	91.3%	91.3%
NOM. Open Circuit Voltage	420	420	420	420
Input Voltage At Lamp Dropout	70	100	115	130
Min Ambient Starting Temp	-20°F/-30°C*	-20°F/-30°C*	-20°F/-30°C*	-20°F/-30°C*
60 HZ TEST PROCEDURES				
High Potential Test (Volts)				
1 Minute	1,850 V	1,850 V	1,850 V	1,850 V
1 Second	2,200 V	2,200 V	2,200 V	2,200 V
Open Circuit Voltage Test (V)	375 - 465	375 - 465	375 - 465	375 - 465
Short Circuit Current Test (A)				
Secondary Current	Min 4.30 Max 5.30	Min 4.30 Max 5.30	Min 4.30 Max 5.30	Min 4.30 Max 5.30
Input Current	Min 3.90 Max 5.90	Min 2.15 Max 3.25	Min 2.00 Max 3.10	Min 1.85 Max 2.80
CORE and COIL Specifications				
Dimension (A)	2.80 in	2.80 in	2.80 in	2.80 in
Dimension (B)	4.95 in	4.95 in	4.95 in	4.95 in
Weight	18.5 lb's	18.5 lb's	18.5 lb's	18.5 lb's
Lead Lengths	12 "	12 "	12 "	12 "
Capacitor Requirement				
Microfarads	22.0 uf	22.0 uf	22.0 uf	22.0 uf
Volts (Min)	500 V	500 V	500 V	500 V



Capacitor:	ACB327OV	Ignitor:	BVS-020
Microfarads:	22.0 uf	Case Temp (Max):	105 °C
Volts (Max):	525 V	BTL Distance (Max)	10 ft
Case Temp (Max)	100 °C		
Height (Max):	4.03 in		
Dia (Max):	1.97 in		
Oval Width (Max):	2.97 in		



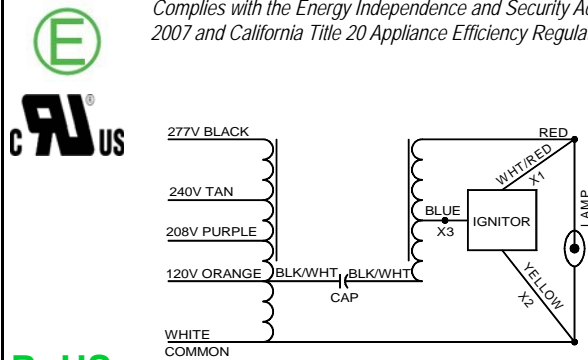
Ordering Information Add Suffix for options
 C - With Oil-Filled Capacitor
 CB - With Oil-Filled Capacitor and Welded Bracket
 B - With Welded Bracket, no Capacitor
 K - Prewired, with Oil-Filled Capacitor and Bracket Kit

* -40°F/-40°C Min Ambient Starting Temp with Venture Lamp

Data is based upon tests performed by Venture Lighting in a controlled environment and is representative of relative performance. Actual performance can vary depending on operating conditions. Specifications are subject to change without notice.

5/10/2018 **Production** Coil Material (PRI/SEC): Cu / Al

Complies with the Energy Independence and Security Act of 2007 and California Title 20 Appliance Efficiency Regulations



RoHS