

ES3240PWS

Ballast Type: Electromagnetic
 Input Voltage: 120VAC+5%,-10%
 Input Frequency: 60 Hz.

Starting Method: Rapid Start
 Lamp Connection: Series
 Unit Color: White

Unit Weight: 2.70 lb.
 Carton Quantity: 10
 Skid Quantity: 780

ELECTRICAL SPECIFICATION:

Line Voltage (V)	Lamp Type	Lamp Watts	No. of Lamps	Line Current (A)	Input Power (W)	Power Factor	Max Current THD (%)	Current Crest Factor	Ballast Factor	Wiring Diagram	B.E.F.
120	FC12T9 & FC16T9	32 & 40	2	0.55	67	≥0.99	≤15	≤1.6	0.68	037	1.02
120	FC8T9 & FC12T9	22 & 32	2	0.47	54	≥0.94	≤15	≤1.7	0.72	037	1.33

PERFORMANCE:

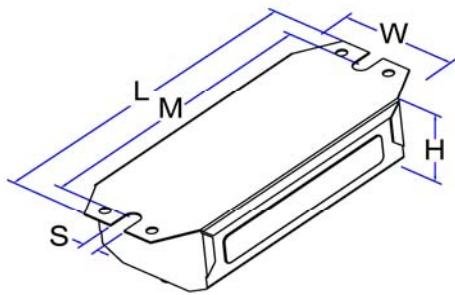
- Electromagnetic lead type ballast
- Rapid start
- Series operation
- High power factor
- Encased & potted
- Sound rated A
- Meets ANSI C82.1

APPLICATION:

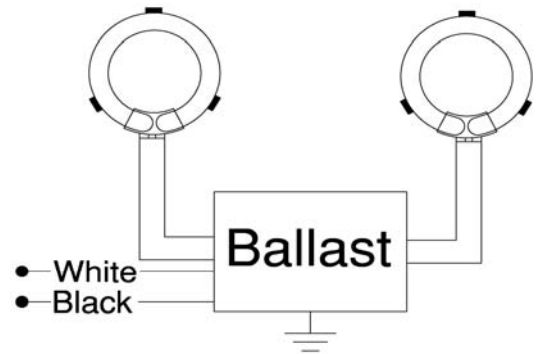
- Maximum case temperature: 194°F/90°C
- Maximum ambient temperature: 104°F/40°C
- Minimum starting temperature: 50°F/10°C
- Remote mounting: 10ft.

SAFETY:

- UL/935 (Class P, Type HL, Type 1 outdoor) listed
- CSA certified (cUL)
- Automatic reset thermal protector
- No PCB's

STYLE:
10A


H	W	L	M	S
1 17/32	2 3/8	6 19/32	6	5/16
1.53	2.38	6.59	6.00	0.31
3.89cm	6.03cm	16.74cm	15.24cm	0.79cm

WIRING DIAGRAM:
37

Standard lead lengths:

- Blk: 12"
- Wht: 12"
- Socket Assembly (2) 9"

* 3/8" Strip

WARRANTY

Robertson Worldwide warrants to the purchaser that this ballast will be free from defects in material or workmanship for a period of 2 years from date of manufacture when properly installed and under normal conditions of use. For more information on Robertson Worldwide's ballasts, call 1-800-323-5633 or visit www.robertsonww.com. Specifications subject to change without notice.

Revised 1/4/06

ROBERTSON WORLDWIDE

 13611 Thornton Rd, Blue Island, IL 60406, TEL: 1-800-323-5633, FAX: 1-877-388-2420, www.robertsonww.com